

July, 2022



SCB13H2G400AF

SCB13H2G800AF

SCB13H2G160AF

2Gbit DDR3L SDRAM

EU RoHS Compliant Products

Data Sheet

Rev. L

Revision History:		
Date	Revision	Subjects (major changes since last revision)
2015-07-01	A	Initial Release
2016-03-01	B	Change to UnilC Format
2016-03-28	C	<ol style="list-style-type: none"> 1. Add power up description 2. Update SRQse 3. Update t_{IH}, t_{IS}, t_{DH}, t_{DS}
2016-04-07	D	<ol style="list-style-type: none"> 1. Update IDD value 2. Update CWL 3. Update speed bin 4. Update list of table and figure 5. Update document format
2016-11-07	E	Update IDD specification
2016-11-22	F	Add automotive "A3" temperature grade product
2017-12-10	G	Update IDD specification
2019-05-06	H	Add x4 mode
2019-07-05	I	Add automotive "A2" temperature grade product
2019-11-01	J	Update the IDD5B (+40mA) Format review (2020-05)
2022-05-31	K	Add Remark(P6)
2022-07-12	L	<ol style="list-style-type: none"> 1.Add x16 1866 A2 PN (P6) 2.Add 95°C~105°C tREFI spec

We Listen to Your Comments

Any information within this document that you feel is wrong, unclear or missing at all? Your feedback will help us to continuously improve the quality of this document. Please send your proposal (including a reference to this document) to: info@unisemicon.com

Contents

Contents	3
1 Overview	4
1.1 Features	4
1.2 Product List	5
1.3 DDR3L SDRAM Addressing	7
1.4 Package Ball out	8
1.4.1 Ball out for 256 Mb x 8, 512Mb x 4 Components	8
1.4.2 Input / Output Signal Functional Description	9
1.4.3 Ball out for 128 Mb x 16 Components	11
1.4.4 Input / Output Signal Functional Description	12
2 Functional Description	14
2.1 Truth Tables	14
2.2 Power-up Initialization Sequence	17
2.3 Mode Register 0 (MR0)	18
2.4 Mode Register 1 (MR1)	20
2.5 Mode Register 2 (MR2)	22
2.6 Mode Register 3 (MR3)	23
2.7 Burst Order	24
3 Operating Conditions and Interface Specification	25
3.1 Absolute Maximum Ratings	25
3.2 Operating Conditions	25
3.3 Interface Test Conditions	26
3.4 Voltage Levels	27
3.4.1 DC and AC Logic Input Levels	27
3.4.2 DC and AC Output Measurements Levels	30
3.5 Output Slew Rates	30
3.6 ODT DC Impedance and Mid-Level Characteristics	31
3.7 ODT DC Impedance Sensitivity on Temperature and Voltage Drifts	31
3.8 Interface Capacitance	32
3.9 Overshoot and Undershoot Specification	33
4 Speed Bins, AC Timing and IDD	35
4.1 Speed Bins	35
4.2 AC Timing Characteristics	40
4.3 IDD Specification	51
5 Package Outlines	53
6 Product Type Nomenclature	55
List of Figures	56
List of Tables	57

1 Overview

This chapter gives an overview of the 2Gbit low power Double-Data-Rate-Three (DDR3L) SDRAM component product and describes its main characteristics.

1.1 Features




The 2Gbit DDR3L SDRAM offers the following key features:


- 1.35V(1.283-1.45V) supply voltage for V_{DD} and V_{DDQ}
- Backward-compatible to $V_{DD} = V_{DDQ} = 1.5V \pm 0.075V$
- Data rate: 1333Mbps/1600Mbps/1866Mbps
- SDRAM configurations with x4 data in/outputs
 - Page Size: 1 KByte page size
 - Row address: A0 to A14
 - Column address: A0 to A9, A11
- SDRAM configurations with x8 data in/outputs
 - Page Size: 1 KByte page size
 - Row address: A0 to A14
 - Column address: A0 to A9
- SDRAM configurations with x16 data in/outputs
 - Page Size: 2 KByte page size
 - Row address: A0 to A13
 - Column address: A0 to A9
- Asynchronous RESET#
- Auto-Precharge operation for read and write commands
- Refresh, Self-Refresh and power saving Power-down modes; Auto Self-refresh (ASR) and Partial array self refresh (PASR)
- Average Refresh Period 7.8 μs at a T_{CASE} lower than 85 °C, 3.9 μs between 85 °C and 105°C.
- Operating temperature range:
 - commercial temperature range 0 °C to 95 °C
 - Industrial temperature range -40 °C to 95 °C
 - Automotive A3 temperature range -40 °C to 95 °C
 - Automotive A2 temperature range -40 °C to 105 °C
- Data mask function for write operation
- Commands can be entered on each positive clock edge
- Data and data mask are referenced to both edges of a differential data strobe pair (double data rate)
- CAS latency (CL): 5, 6, 7, 8, 9, 10,11, 12,13
- Posted CAS with programmable additive latency (AL = 0, CL-1 and CL-2) for improved command, address and data bus efficiency
- Read Latency $RL = AL + CL$
- Programmable CAS Write Latency (CWL) per operating frequency: 5, 6, 7, 8, 9, 10
- Write Latency $WL = AL + CWL$
- Burst length 8 (BL8) and burst chop 4(BC4) modes: fixed via mode register (MRS) or selectable On-The-Fly (OTF)
- Programmable read burst ordering: interleaved or sequential
- Multi-purpose register (MPR) for readout of non-memory related information
- System level timing calibration support via write leveling and MPR read pattern
- Differential clock inputs (CK and CK#)
- Bi-directional, differential data strobe pair (DQS and DQS#) is transmitted / received with data. Edge aligned with read data and center-aligned with write data
- DLL aligns transmitted read data and strobe pair transition with clock
- Programmable on-die termination (ODT) for data, data mask and differential strobe pairs
- Dynamic ODT mode for improved signal integrity and pre- selectable termination impedances during writes
- ZQ Calibration for output driver and on-die termination using external reference resistor to ground
- Driver strength : RZQ/7, RZQ/6 (RZQ = 240 Ω)
- Lead and halogen free packages:
 - PG-TFBGA-78 for x4 component
 - PG-TFBGA-78 for x8 component
 - PG-TFBGA-96 for x16 component

1.2 Product List

Table 1 shows all possible products within the 2Gbit DDR3L SDRAM component generation. Availability depends on application needs. For UnilC part number nomenclatures see **Chapter 6**.

Table 1 - Ordering Information for 2Gbit DDR3L SDRAM Components

Product Type ¹⁾	Org.	Speed	CAS-RCD-RP Latencies ²⁾³⁾⁴⁾	Clock (MHz)	Package	Note ⁵⁾	
Commercial Temperature Range (0 °C~ +95 °C)							
DDR3L-1866M (13-13-13)							
SCB13H2G400AF-11M	x4	DDR3L-1866M	13-13-13	933	PG-TFBGA-78		
SCB13H2G800AF-11M	x8	DDR3L-1866M	13-13-13	933	PG-TFBGA-78		
SCB13H2G160AF-11M	x16	DDR3L-1866M	13-13-13	933	PG-TFBGA-96		
DDR3L-1600K (11-11-11)							
SCB13H2G400AF-13K	x4	DDR3L-1600K	11-11-11	800	PG-TFBGA-78		
SCB13H2G800AF-13K	x8	DDR3L-1600K	11-11-11	800	PG-TFBGA-78		
SCB13H2G160AF-13K	x16	DDR3L-1600K	11-11-11	800	PG-TFBGA-96		
DDR3L-1333H (9-9-9)							
SCB13H2G400AF-15H	x4	DDR3L-1333H	9-9-9	667	PG-TFBGA-78		
SCB13H2G800AF-15H	x8	DDR3L-1333H	9-9-9	667	PG-TFBGA-78		
SCB13H2G160AF-15H	x16	DDR3L-1333H	9-9-9	667	PG-TFBGA-96		
Industrial Temperature Range (-40 °C~ +95 °C)							
DDR3L-1866M (13-13-13)							
SCB13H2G400AF-11MI	x4	DDR3L-1866M	13-13-13	933	PG-TFBGA-78		
SCB13H2G800AF-11MI	x8	DDR3L-1866M	13-13-13	933	PG-TFBGA-78		
SCB13H2G160AF-11MI	x16	DDR3L-1866M	13-13-13	933	PG-TFBGA-96		
DDR3L-1600K (11-11-11)							
SCB13H2G400AF-13KI	x4	DDR3L-1600K	11-11-11	800	PG-TFBGA-78		
SCB13H2G800AF-13KI	x8	DDR3L-1600K	11-11-11	800	PG-TFBGA-78		
SCB13H2G160AF-13KI	x16	DDR3L-1600K	11-11-11	800	PG-TFBGA-96		
DDR3L-1333H (9-9-9)							
SCB13H2G400AF-15HI	x4	DDR3L-1333H	9-9-9	667	PG-TFBGA-78		
SCB13H2G800AF-15HI	x8	DDR3L-1333H	9-9-9	667	PG-TFBGA-78		
SCB13H2G160AF-15HI	x16	DDR3L-1333H	9-9-9	667	PG-TFBGA-96		
DDR3L-1066F (7-7-7)							
SCB13H2G400AF-19FI	x4	DDR3L-1066F	7-7-7	533	PG-TFBGA-78		
SCB13H2G800AF-19FI	x8	DDR3L-1066F	7-7-7	533	PG-TFBGA-78		
SCB13H2G160AF-19FI	x16	DDR3L-1066F	7-7-7	533	PG-TFBGA-96		
Automotive A3 Temperature Range (-40 °C~ +95 °C)							
DDR3L-1866M (13-13-13)							
SCB13H2G400AF-11MA3	x4	DDR3L-1866M	13-13-13	933	PG-TFBGA-78		
SCB13H2G800AF-11MA3	x8	DDR3L-1866M	13-13-13	933	PG-TFBGA-78		
SCB13H2G160AF-11MA3	x16	DDR3L-1866M	13-13-13	933	PG-TFBGA-96		
DDR3L-1600K (11-11-11)							
SCB13H2G400AF-13KA3	x4	DDR3L-1600K	11-11-11	800	PG-TFBGA-78		
SCB13H2G800AF-13KA3	x8	DDR3L-1600K	11-11-11	800	PG-TFBGA-78		
SCB13H2G160AF-13KA3	x16	DDR3L-1600K	11-11-11	800	PG-TFBGA-96		
DDR3L-1333H (9-9-9)							

Product Type ¹⁾	Org.	Speed	CAS-RCD-RP Latencies ²⁾³⁾⁴⁾	Clock (MHz)	Package	Note ⁵⁾
SCB13H2G400AF-15HA3	x4	DDR3L-1333H	9-9-9	667	PG-TFBGA-78	
SCB13H2G800AF-15HA3	x8	DDR3L-1333H	9-9-9	667	PG-TFBGA-78	
SCB13H2G160AF-15HA3	x16	DDR3L-1333H	9-9-9	667	PG-TFBGA-96	
Automotive A2 Temperature Range (-40 °C~ +105 °C)						
DDR3L-1866M (13-13-13)						
SCB13H2G160AF-11MA2	x16	DDR3L-1866M	13-13-13	933	PG-TFBGA-96	
DDR3L-1600K (11-11-11)						
SCB13H2G160AF-13KA2	x16	DDR3L-1600K	11-11-11	800	PG-TFBGA-96	

- 1) For detailed information regarding product type of UnilC please see chapter "Product Nomenclature" of this data sheet.
- 2) CAS: Column Address Strobe.
- 3) RCD: Row Column Delay.
- 4) RP: Row Precharge.
- 5) RoHS Compliant Product: Restriction of the use of certain hazardous substances (RoHS) in electrical and electronic equipment as defined in the directive 2002/95/EC issued by the European Parliament and of the Council of 27 January 2003. These substances include mercury, lead, cadmium, hexavalent chromium, polybrominated biphenyls and polybrominated biphenyl ethers. For more information please visit <http://www.unisemicon.com/>

Remark: SCB13H2G80/16AF-xxxA3 meets AEC-Q100 reliability requirements. Detail qualification information refer to qualification report;

1.3 DDR3L SDRAM Addressing

Table 2 - 2Gbit DDR3L SDRAM Addressing

Configuration	512Mb × 4	256Mb × 8	128Mb × 16	Note
Number of Banks	8	8	8	
Bank Address	BA[2:0]	BA[2:0]	BA[2:0]	
Row Address	A[14:0]	A[14:0]	A[13:0]	
Column Address	A11,A[9:0]	A[9:0]	A[9:0]	
Page Size	1KB	1KB	2KB	1)
Auto-Precharge	A10 AP	A10 AP	A10 AP	
Burst length on-the-fly bit	A12 BC#	A12 BC#	A12 BC#	

- 1) Page size is the number of bytes of data delivered from the array to the internal sense amplifiers when an ACTIVE command is registered. Page size is per memory bank and calculated as follows: Page Size = $2^{\text{COLBITS}} \times \text{ORG}/8$, where COLBITS is the number of column address bits and ORG is the number of DQ bits for a given SDRAM configuration (x4,x8 or x16).

1.4 Package Ball out

Figure 1 show the ball out for DDR3L SDRAM components. See Chapter 5 for package outlines.

1.4.1 Ball out for 256 Mb × 8, 512Mb x 4 Components

Figure 1 - Ball out for 256 Mb x8, Components (PG-TFBGA-78, Top View)

1	2	3	4	5	6	7	8	9
V _{SS}	V _{DD}	NC		A		NU /TDQS	V _{SS}	V _{DD}
V _{SS}	V _{SSQ}	DQ0		B		DM TDQS	V _{SSQ}	V _{DDQ}
V _{DDQ}	DQ2	DQS		C		DQ1	DQ3	V _{SSQ}
V _{SSQ}	DQ6	/DQS		D		V _{DD}	V _{SS}	V _{SSQ}
V _{REFDQ}	V _{DDQ}	DQ4		E		DQ7	DQ5	V _{DDQ}
NC	V _{SS}	/RAS		F		CK	V _{SS}	NC
ODT	V _{DD}	/CAS		G		/CK	V _{DD}	CKE
NC	/CS	/WE		H		A10 AP	ZQ	NC
V _{SS}	BA0	BA2		J		NC	V _{REFCA}	V _{SS}
V _{DD}	A3	A0		K		A12 /BC	BA1	V _{DD}
V _{SS}	A5	A2		L		A1	A4	V _{SS}
V _{DD}	A7	A9		M		A11	A6	V _{DD}
V _{SS}	/RESET	A13		N		A14	A8	V _{SS}

Notes

1. TDQS / $\overline{\text{TDQS}}$ are enabled by MR(1) command.
2. If TDQS / $\overline{\text{TDQS}}$ is enabled, the DM function is disabled
4. D2, E3, E7, E8 = NC for x4 organization
5. A7=NC for x4 organization, B7 is DM function for x4 organization

1.4.2 Input / Output Signal Functional Description

Table 3 - Input / Output Signal Functional Description for x8 component

Symbol	Type	Function
CK, CK#	Input	Clock: CK and CK# are differential clock inputs. All address and control input signals are sampled on the crossing of the positive edge of CK and negative edge of CK#.
CKE	Input	Clock Enable: CKE High activates, and CKE Low deactivates internal clock signals and device input buffers and output drivers. Taking CKE Low provides Precharge Power-Down and Self-Refresh operation (all banks idle), or Active Power-Down (active row in any bank). CKE is asynchronous for Self-Refresh exit. After V_{REFCA} and V_{REFDQ} have become stable during the power on and initialization sequence, they must be maintained during all operations (including Self-Refresh). CKE must be maintained High throughout read and write accesses. Input buffers, excluding CK, CK#, ODT, CKE and RESET# are disabled during Power-down. Input buffers, excluding CKE and RESET are disabled during self refresh.
CS#	Input	Chip Select: All commands are masked when CS# is registered High. CS# provides for external Rank selection on systems with multiple ranks. CS# is considered part of the command code.
RAS#, CAS#, WE#	Input	Command Inputs: RAS#, CAS# and WE# (along with CS#) define the command being entered.
ODT	Input	On-Die Termination: ODT (registered High) enables termination resistance internal to the DDR3L SDRAM. When enabled, ODT is only applied to each DQ, DQS, DQS# and DM/TDQS, NU/TDQS# signal for x8 configurations. The ODT signal will be ignored if the Mode Register MR1 and MR2 are programmed to disable ODT and during Self Refresh.
DM	Input	Input Data Mask : DM is an input mask signal for write data. Input data is masked when DM is sampled HIGH coincident with that input data during a Write access. DM is sampled on both edges of DQS. For x8 device, the function of DM or TDQS/TDQS# is enabled by Mode Register A11 setting in MR1.
TDQS/TDQS#	input	Termination Data Strobe: TDQS/TDQS# is applicable for x8 DRAMs only. When enabled via Mode Register A11 = 1 in MR1, the DRAM will enable the same termination resistance function on TDQS/TDQS# that is applied to DQS/DQS#. When disabled via mode register A11 = 0 in MR1, DM/TDQS will provide the data mask function and TDQS# is not used.
BA0 - BA2	Input	Bank Address Inputs: Define to which bank an Active, Read, Write or Precharge command is being applied. Bank address also determines which mode register is to be accessed during a mode register set cycle.
A0 - A14	Input	Address Inputs: Provides the row address for Active commands and the column address for Read/Write commands to select one location out of the memory array in the respective bank. (A10 AP and A12 BC# have additional functions, see below). The address inputs also provide the op-code during Mode Register Set commands.

Symbol	Type	Function
A10 AP	Input	Auto-Precharge: A10 AP is sampled during Read/Write commands to determine whether Auto-Precharge should be performed to the accessed bank after the Read/Write operation. (High: Auto-Precharge, Low: no Auto-Precharge). A10 AP is sampled during Precharge command to determine whether the Precharge applies to one bank (A10 Low) or all banks (A10 High). If only one bank is to be precharged, the bank is selected by bank addresses.
A12 BC#	Input	Burst Chop: A12 BC# is sampled during Read and Write commands to determine if burst chop (on-the-fly) will be performed. (High: no burst chop, Low: burst chopped). See “ Command Truth Table ” on Page 14 for details.
DQ0 ~ DQ7	Input/ Output	Data Input/Output: Bi-directional data bus.DQ0~DQ3 for X4 mode
DQS,DQS#	Input/ Output	Data Strobe: Output with read data, input with write data. Edge-aligned with read data, centered in write data. The data strobe DQS is paired with differential signal DQS#, to provide differential pair signaling to the system during reads and writes. DDR3L SDRAM supports differential data strobe only and does not support single-ended.
RESET#	Input	Active Low Asynchronous Reset: Reset is active when RESET# is Low, and inactive when RESET# is High. RESET# must be High during normal operation. RESET# is a CMOS rail to rail signal with DC High and Low are 80% and 20% of V_{DD} , RESET# active is destructive to data contents.
NC	—	No Connect: no internal electrical connection is present
V_{DDQ}	Supply	DQ Power Supply: 1.35V, 1.283–1.45V operational; compatible to 1.5V operation
V_{SSQ}	Supply	DQ Ground
V_{DD}	Supply	Power Supply: 1.35V, 1.283–1.45V operational; compatible to 1.5V operation
V_{SS}	Supply	Ground
V_{REFDQ}	Supply	Reference Voltage for DQ
V_{REFCA}	Supply	Reference Voltage for Command and Address inputs
ZQ	Supply	Reference ball for ZQ calibration

Note: Input only pins (BA0-BA2, A0-A14, RAS#, CAS#, WE#, CS#, CKE, ODT, and RESET#) do not supply termination.

1.4.3 Ball out for 128 Mb × 16 Components

Figure 2 - Ball out for 128 Mb ×16 Components (PG-TFBGA-96,Top View)

1	2	3	4	5	6	7	8	9
V _{DDQ}	DQU5	DQU7		A		DQU4	V _{DDQ}	V _{SS}
V _{SSQ}	V _{DD}	V _{SS}		B		/DQSU	DQU6	V _{SSQ}
V _{DDQ}	DQU3	DQU1		C		DQSU	DQU2	V _{DDQ}
V _{SSQ}	V _{DDQ}	DMU		D		DQU0	V _{SSQ}	V _{DD}
V _{SS}	V _{SSQ}	DQL0		E		DML	V _{SSQ}	V _{DDQ}
V _{DDQ}	DQL2	DQSL		F		DQL1	DQL3	V _{SSQ}
V _{SSQ}	DQL6	/DQSL		G		V _{DD}	V _{SS}	V _{SSQ}
V _{REFDQ}	V _{DDQ}	DQL4		H		DQL7	DQL5	V _{DDQ}
NC	V _{SS}	/RAS		J		CK	V _{SS}	NC
ODT	V _{DD}	/CAS		K		/CK	V _{DD}	CKE
NC	/CS	/WE		L		A10 AP	ZQ	NC
V _{SS}	BA0	BA2		M		NC	V _{REFCA}	V _{SS}
V _{DD}	A3	A0		N		A12 /BC	BA1	V _{DD}
V _{SS}	A5	A2		P		A1	A4	V _{SS}
V _{DD}	A7	A9		R		A11	A6	V _{DD}
V _{SS}	/RESET	A13		T		NC	A8	V _{SS}

1.4.4 Input / Output Signal Functional Description

Table 4 - Input / Output Signal Functional Description for x16 component

Symbol	Type	Function
CK, CK#	Input	Clock: CK and CK# are differential clock inputs. All address and control input signals are sampled on the crossing of the positive edge of CK and negative edge of CK#.
CKE	Input	Clock Enable: CKE High activates, and CKE Low deactivates internal clock signals and device input buffers and output drivers. Taking CKE Low provides Precharge Power-Down and Self-Refresh operation (all banks idle), or Active Power-Down (active row in any bank). CKE is asynchronous for Self-Refresh exit. After V_{REFCA} and V_{REFDQ} have become stable during the power on and initialization sequence, they must be maintained during all operations (including Self-Refresh). CKE must be maintained High throughout read and write accesses. Input buffers, excluding CK, CK#, ODT, CKE and RESET# are disabled during Power-down. Input buffers, excluding CKE and RESET are disabled during self refresh.
CS#	Input	Chip Select: All commands are masked when CS# is registered High. CS# provides for external Rank selection on systems with multiple ranks. CS# is considered part of the command code.
RAS#, CAS#, WE#	Input	Command Inputs: RAS#, CAS# and WE# (along with CS#) define the command being entered.
ODT	Input	On-Die Termination: ODT (registered High) enables termination resistance internal to the DDR3L SDRAM. When enabled, ODT is applied to each DQ, DQSU, DQSU#, DQSL, DQSL#, DMU and DML signal for x16 configurations. The ODT signal will be ignored if the Mode Register MR1 and MR2 are programmed to disable ODT and during Self Refresh.
DM (DMU), (DML)	Input	Input Data Mask : DM is an input mask signal for write data. Input data is masked when DM is sampled HIGH coincident with that input data during a Write access. DM is sampled on both edges of DQS.
BA0 - BA2	Input	Bank Address Inputs: Define to which bank an Active, Read, Write or Precharge command is being applied. Bank address also determines which mode register is to be accessed during a mode register set cycle.
A0 - A13	Input	Address Inputs: Provides the row address for Active commands and the column address for Read/Write commands to select one location out of the memory array in the respective bank. (A10 AP and A12 BC# have additional functions, see below). The address inputs also provide the op-code during Mode Register Set commands.

Symbol	Type	Function
A10 AP	Input	Auto-Precharge: A10 AP is sampled during Read/Write commands to determine whether Auto-Precharge should be performed to the accessed bank after the Read/Write operation. (High: Auto-Precharge, Low: no Auto-Precharge). A10 AP is sampled during Precharge command to determine whether the Precharge applies to one bank (A10 Low) or all banks (A10 High). If only one bank is to be precharged, the bank is selected by bank addresses.
A12 BC#	Input	Burst Chop: A12 BC# is sampled during Read and Write commands to determine if burst chop (on-the-fly) will be performed. (High: no burst chop, Low: burst chopped). See “ Command Truth Table ” on Page 14 for details.
DQ(DQL0~7), (DQU0~7)	Input/ Output	Data Input/Output: Bi-directional data bus.
DQSL,DQSL# DQSU, DQSU#	Input/ Output	Data Strobe: Output with read data, input with write data. Edge-aligned with read data, centered in write data. For the x16, DQSL corresponds to the data on DQL0-DQL7; DQSU corresponds to the data on DQU0-DQU7. The data strobe DQSL and DQSU are paired with differential signals DQSL# and DQSU#, respectively, to provide differential pair signaling to the system during reads and writes. DDR3L SDRAM supports differential data strobe only and does not support single-ended.
RESET#	Input	Active Low Asynchronous Reset: Reset is active when RESET# is Low, and inactive when RESET# is High. RESET# must be High during normal operation. RESET# is a CMOS rail to rail signal with DC High and Low are 80% and 20% of V_{DD} . RESET# active is destructive to data contents.
NC	—	No Connect: no internal electrical connection is present
V_{DDQ}	Supply	DQ Power Supply: 1.35V, 1.283–1.45V operational; compatible to 1.5V operation
V_{SSQ}	Supply	DQ Ground
V_{DD}	Supply	Power Supply: 1.35V, 1.283–1.45V operational; compatible to 1.5V operation
V_{SS}	Supply	Ground
V_{REFDQ}	Supply	Reference Voltage for DQ
V_{REFCA}	Supply	Reference Voltage for Command and Address inputs
ZQ	Supply	Reference ball for ZQ calibration

Note: Input only pins (BA0-BA2, A0-A13, RAS#, CAS#, WE#, CS#, CKE, ODT, and RESET#) do not supply termination.

2 Functional Description

2.1 Truth Tables

The truth tables list the input signal values at a given clock edge which represent a command or state transition expected to be executed by the DDR3L SDRAM. **Table 5** lists all valid commands to the DDR3L SDRAM.

For a detailed description of the various power mode entries and exits please refer to **Table 6**. In addition, the DM functionality is described in **Table 7**.

Table 5 - Command Truth Table

Function	Abbreviation	CKE		CS	RAS	CAS	WE	BA0 - BA2	A13 - A14	A12 / BC	A10 / AP	A0 - A9,A11	Notes
		Previous Cycle	Current Cycle										
Mode Register Set	MRS	H	H	L	L	L	L	BA	OP Code				
Refresh	REF	H	H	L	L	L	H	V	V	V	V	V	
Self Refresh Entry	SRE	H	L	L	L	L	H	V	V	V	V	V	7)9)12)
Self Refresh Exit	SRX	L	H	H	X	X	X	X	X	X	X	X	7)8)9)12)
				L	H	H	H	V	V	V	V	V	
Single Bank Precharge	PRE	H	H	L	L	H	L	BA	V	V	L	V	
Precharge all Banks	PREA	H	H	L	L	H	L	V	V	V	H	V	
Bank Activate	ACT	H	H	L	L	H	H	BA	Row Address (RA)				
Write (Fixed BL8 or BL4)	WR	H	H	L	H	L	L	BA	RFU	V	L	CA	
Write (BL4, on the Fly)	WRS4	H	H	L	H	L	L	BA	RFU	L	L	CA	
Write (BL8, on the Fly)	WRS8	H	H	L	H	L	L	BA	RFU	H	L	CA	
Write with Auto Precharge (Fixed BL8 or BL4)	WRA	H	H	L	H	L	L	BA	RFU	V	H	CA	
Write with Auto Precharge (BL4, on the Fly)	WRAS4	H	H	L	H	L	L	BA	RFU	L	H	CA	
Write with Auto Precharge (BL8, on the Fly)	WRAS8	H	H	L	H	L	L	BA	RFU	H	H	CA	
Read (Fixed BL8 or BL4)	RD	H	H	L	H	L	H	BA	RFU	V	L	CA	
Read (BL4, on the Fly)	RDS4	H	H	L	H	L	H	BA	RFU	L	L	CA	
Read (BL8, on the Fly)	RDS8	H	H	L	H	L	H	BA	RFU	H	L	CA	
Read with Auto Precharge (Fixed BL8 or BL4)	RDA	H	H	L	H	L	H	BA	RFU	V	H	CA	
Read with Auto Precharge (BL4, on the Fly)	RDAS4	H	H	L	H	L	H	BA	RFU	L	H	CA	
Read with Auto Precharge (BL8, on the Fly)	RDAS8	H	H	L	H	L	H	BA	RFU	H	H	CA	
No Operation	NOP	H	H	L	H	H	H	V	V	V	V	V	10)
Device Deselected	DES	H	H	H	X	X	X	X	X	X	X	X	11)
ZQ calibration Long	ZQCL	H	H	L	H	H	L	X	X	X	H	X	
ZQ calibration Short	ZQCS	H	H	L	H	H	L	X	X	X	L	X	
Power Down Entry	PDE	H	L	L	H	H	H	V	V	V	V	V	6)12)
				H	X	X	X	X	X	X	X	X	
Power Down Exit	PDX	L	H	L	H	H	H	V	V	V	V	V	6)12)
				H	X	X	X	X	X	X	X	X	

Notes 1) - 4) apply to the entire Command Truth Table.

Note 5) apply to all Read/Write command.

- 1) All DDR3L SDRAM commands are defined by states of CS#, RAS#, CAS#, WE# and CKE at the rising edge of the clock. The MSB of BA, RA, and CA are device density and configuration dependant.
- 2) RESET# is Low enable command which will be used only for asynchronous reset so must be maintained HIGH during any function.
- 3) Bank addresses (BA) determine which bank is to be operated upon. For (E)MRS BA selects an (Extended) Mode Register.
- 4) "V" means "H or L (but a defined logic level)" and "X" means either "defined or undefined (like floating) logic level".
- 5) Burst reads or writes cannot be terminated or interrupted and Fixed/on the fly BL will be defined by MRS.
- 6) The Power Down Mode does not perform any refresh operations.
- 7) The state of ODT does not affect the states described in this table. The ODT function is not available during Self Refresh.
- 8) Self refresh exit is asynchronous.
- 9) VREF(Both VREFDQ and VREFCA) must be maintained during Self Refresh operation. VrefDQ supply may be turned OFF and VREFDQ may take any value between VSS and VDD during Self Refresh operation, provided that VrefDQ is valid and stable prior to CKE going back High and that first Write operation or first Write Leveling Activity may not occur earlier than 512 nCK after exit from Self Refresh.
- 10) The No Operation command (NOP) should be used in cases when the DDR3L SDRAM is in an idle or a wait state. The purpose of the No Operation command (NOP) is to prevent the DDR3L SDRAM from registering any unwanted commands between operations. A No Operation command will not terminate a previous operation that is still executing, such as a burst read or write cycle.
- 11) The Deselect command performs the same function as a No Operation command.
- 12) Refer to the CKE Truth Table for more detail with CKE transition.

Table 6 - Clock Enable (CKE) Truth Table for Synchronous Transitions

Current State ¹⁾	CKE(N-1) ²⁾	CKE(N) ²⁾	Command (N) ³⁾	Action (N) ³⁾	Note
	Previous Cycle	Current Cycle	RAS#, CAS#, WE#, CS#		
Power Down	L	L	X	Maintain Power Down	4)5)6)7)8)9)
	L	H	DES or NOP	Power Down Exit	4)5)6)7)8)10)
Self Refresh	L	L	X	Maintain Self Refresh	4)5)6)7)9)11)
	L	H	DES or NOP	Self Refresh Exit	4)5)6)7)11)12)13)
Bank(s) Active	H	L	DES or NOP	Active Power Down Entry	4)5)6)7)8)10)14)
Reading	H	L	DES or NOP	Power Down Entry	4)5)6)7)8)10)14)15)
Writing	H	L	DES or NOP	Power Down Entry	4)5)6)7)8)10)14)15)
Precharging	H	L	DES or NOP	Power Down Entry	4)5)6)7)8)10)14)15)
Refreshing	H	L	DES or NOP	Precharge Power Down Entry	4)5)6)7)10)
All Banks Idle	H	L	DES or NOP	Precharge Power Down Entry	4)5)6)7)8)10)14)16)
	H	L	REF	Self Refresh Entry	4)5)6)7)14)16)17)
Any other state	Refer to “Command Truth Table” on Page 14 for more detail with all command signals				4)5)6)7)18)

- 1) Current state is defined as the state of the DDR3L SDRAM immediately prior to clock edge N.
- 2) CKE(N) is the logic state of CKE at clock edge N; CKE (N-1) was the state of CKE at the previous clock edge.
- 3) COMMAND (N) is the command registered at clock edge N, and ACTION (N) is a result of COMMAND (N), ODT is not included here.
- 4) All states and sequences not shown are illegal or reserved unless explicitly described elsewhere in this document.
- 5) The state of ODT does not affect the states described in this table. The ODT function is not available during Self Refresh.
- 6) CKE must be registered with the same value on $t_{CKE,MIN}$ consecutive positive clock edges. CKE must remain at the valid input level the entire time it takes to achieve the $t_{CKE,MIN}$ clocks of registration. Thus, after any CKE transition, CKE may not transition from its valid level during the time period of $t_{IS} + t_{CKE,MIN} + t_{IH}$.
- 7) DES and NOP are defined in **“Command Truth Table” on Page 14**.
- 8) The Power Down does not perform any refresh operations
- 9) X means Don't care (including floating around V_{REFCA}) in Self Refresh and Power Down. It also applies to address pins.
- 10) Valid commands for Power Down Entry and Exit are NOP and DES only
- 11) V_{REF} (both V_{REFCA} and V_{REFDQ}) must be maintained during Self Refresh operation. VrefDQ supply may be turned OFF and VREFDQ may take any value between VSS and VDD during Self Refresh operation, provided that VrefDQ is valid and stable prior to CKE going back High and that first Write operation or first Write Leveling Activity may not occur earlier than 512 nCK after exit from Self Refresh.
- 12) On Self Refresh Exit DES or NOP commands must be issued on every clock edge occurring during the t_{XS} period. Read, or ODT commands may be issued only after t_{XSDLL} is satisfied.
- 13) Valid commands for Self Refresh Exit are NOP and DES only.
- 14) Self Refresh can not be entered while Read or Write operations are in progress.
- 15) If all banks are closed at the conclusion of a read, write or precharge command then Precharge Power-down is entered, otherwise Active Power-down is entered.
- 16) 'Idle state' is defined as all banks are closed (t_{RP} , t_{DAL} , etc. satisfied), no data bursts are in progress, CKE is High, and all timings from previous operations are satisfied (t_{MRD} , t_{MOD} , t_{RFC} , $t_{ZQ,INIT}$, $t_{ZQ,OPER}$, t_{ZQS} , etc.) as well as all Self-Refresh exit and Power-Down Exit parameters are satisfied (t_{XS} , t_{XP} , t_{XPDLL} , etc.).
- 17) Self Refresh mode can only be entered from the All Banks Idle state.
- 18) Must be a legal command as defined in **“Command Truth Table” on Page 14**.

Table 7 - Data Mask (DM) Truth Table

Name (Function)	DM	DQs
Write Enable	L	Valid
Write Inhibit	H	X

2.2 Power-up Initialization Sequence

The following sequence is required for POWER UP and Initialization.

1. Apply power (RESET# is recommended to be maintained below $0.2 \times VDD$; all other inputs may be undefined). RESET# needs to be maintained for minimum 200 us with stable power. CKE is pulled “Low” anytime before RESET# being de-asserted (min. time 10 ns). The power voltage ramp time between 300 mv to VDDmin must be no greater than 200 ms; and during the ramp, $VDD > VDDQ$ and $(VDD - VDDQ) < 0.3$ volts.

- VDD and VDDQ are driven from a single power converter output, AND
- The voltage levels on all pins other than VDD, VDDQ, VSS, VSSQ must be less than or equal to VDDQ and VDD on one side and must be larger than or equal to VSSQ and VSS on the other side. In addition, VTT is limited to 0.95 V max once power ramp is finished, AND
- Vref tracks VDDQ/2.

OR

- Apply VDD without any slope reversal before or at the same time as VDDQ.
- Apply VDDQ without any slope reversal before or at the same time as VTT & Vref.
- The voltage levels on all pins other than VDD, VDDQ, VSS, VSSQ must be less than or equal to VDDQ and VDD on one side and must be larger than or equal to VSSQ and VSS on the other side.

2. After RESET# is de-asserted, wait for another 500 us until CKE becomes active. During this time, the DRAM will start internal state initialization; this will be done independently of external clocks.
3. Clocks (CK, CK#) need to be started and stabilized for at least 10 ns or 5 tCK (which is larger) before CKE goes active. Since CKE is a synchronous signal, the corresponding set up time to clock (tIS) must be met. Also, a NOP or Deselect command must be registered (with tIS set up time to clock) before CKE goes active. Once the CKE is registered “High” after Reset, CKE needs to be continuously registered “High” until the initialization sequence is finished, including expiration of tDLLK and tZQinit.
4. The DDR3L SDRAM keeps its on-die termination in high-impedance state as long as RESET# is asserted. Further, the SDRAM keeps its on-die termination in high impedance state after RESET# deassertion until CKE is registered HIGH. The ODT input signal may be in undefined state until tIS before CKE is registered HIGH. When CKE is registered HIGH, the ODT input signal may be statically held at either LOW or HIGH. If RTT_NOM is to be enabled in MR1, the ODT input signal must be statically held LOW. In all cases, the ODT input signal remains static until the power up initialization sequence is finished, including the expiration of tDLLK and tZQinit.
5. After CKE is being registered high, wait minimum of Reset CKE Exit time, tXPR, before issuing the first MRS command to load mode register. ($tXPR = \max(tXS ; 5 \times tCK)$)
6. Issue MRS Command to load MR2 with all application settings. (To issue MRS command for MR2, provide “Low” to BA0 and BA2, “High” to BA1.)
7. Issue MRS Command to load MR3 with all application settings. (To issue MRS command for MR3, provide “Low” to BA2, “High” to BA0 and BA1.)
8. Issue MRS Command to load MR1 with all application settings and DLL enabled. (To issue "DLL Enable" command, provide "Low" to A0, "High" to BA0 and "Low" to BA1 – BA2).
9. Issue MRS Command to load MR0 with all application settings and “DLL reset”. (To issue DLL reset command, provide "High" to A8 and "Low" to BA0-2).
10. Issue ZQCL command to starting ZQ calibration.
11. Wait for both tDLLK and tZQinit completed.
12. The DDR3L SDRAM is now ready for normal operation.

2.3 Mode Register 0 (MR0)

The mode register MR0 stores the data for controlling various operating modes of DDR3L SDRAM. It controls burst length, read burst type, CAS latency, test mode, DLL reset, WR (write recovery time for auto-precharge) and DLL control for precharge Power-Down, which includes various vendor specific options to make DDR3L SDRAM useful for various applications. The mode register is written by asserting Low on CS#, RAS#, CAS#, WE#, BA0, BA1, and BA2, while controlling the states of address pins according to [Table 8](#).

BA2	BA1	BA0	A14 A13	A12	A11	A10	A9	A8	A7	A6	A5	A4	A3	A2	A1	A0
0	0	0	0 ¹⁾	PPD	WR			DLL	TM	CL			RBT	CL	BL	

Table 8 - MR0 Mode register Definition (BA[2:0]=000_B)

Field	Bits ¹⁾	Description
BL	A[1:0]	<p>Burst Length (BL) and Control Method Number of sequential bits per DQ related to one Read/Write command. 00_B BL8MRS mode with fixed burst length of 8. A12 BC# at Read or Write command time is Don't care at read or write command time. 01_B BL0TF on-the-fly (OTF) enabled using A12 BC# at Read or Write command time. When A12 BC# is High during Read or Write command time a burst length of 8 is selected (BL8OTF mode). When A12 BC# is Low, a burst chop of 4 is selected (BC4OTF mode). Auto-Precharge can be enabled or disabled. 10_B BC4MRS mode with fixed burst chop of 4 with $t_{CCD} = 4 \times n_{CK}$. A12 BC# is Don't care at Read or Write command time. 11_B TBD Reserved</p>
RBT	A3	<p>Read Burst Type 0_B Nibble Sequential 1_B Interleaved</p>
CL	A[6:4,2]	<p>CAS Latency (CL) CAS Latency is the delay, in clock cycles, between the internal Read command and the availability of the first bit of output data. <i>Note: For more information on the supported CL and AL settings based on the operating clock frequency, refer to "Speed Bins" on Page 35.</i> <i>Note: All other bit combinations are reserved.</i></p> <p>0000_B RESERVED 0010_B 5 0100_B 6 0110_B 7 1000_B 8 1010_B 9 1100_B 10 1110_B 11 0001_B 12 0011_B 13</p>
TM	A7	<p>Test Mode The normal operating mode is selected by MR0(bit A7 = 0) and all other bits set to the desired values shown in this table. Programming bit A7 to a 1 places the DDR3L SDRAM into a test mode that is only used by the SDRAM manufacturer and should NOT be used. No operations or functionality is guaranteed if A7 = 1. 0_B Normal Mode 1_B Vendor specific test mode</p>

Field	Bits ¹⁾	Description
DLLres	A8	<p>DLL Reset The internal DLL Reset bit is self-clearing, meaning it returns back to the value of 0 after the DLL reset function has been issued. Once the DLL is enabled, a subsequent DLL Reset should be applied. Any time the DLL reset function is used, t_{DLLK} must be met before any functions that require the DLL can be used (i.e. Read commands or synchronous ODT operations).</p> <p>0_B No DLL Reset 1_B DLL Reset triggered</p>
WR	A[11:9]	<p>Write Recovery for Auto-Precharge Number of clock cycles for write recovery during Auto-Precharge. WR_{MIN} in clock cycles is calculated by dividing $t_{WR(MIN)}$ (in ns) by the actual $t_{CK(AVG)}$ (in ns) and rounding up to the next integer: $WR_{MIN} [n_{CK}] = \text{Roundup}(t_{WR,MIN}[ns] / t_{CK,AVG}[ns])$. The WR value in the mode register must be programmed to be equal or larger than WR_{MIN}. The resulting WR value is also used with t_{RP} to determine t_{DAL}. Since WR of 9 and 11 is not implemented in DDR3L and the above formula results in these values, higher values have to be programmed.</p> <p>000_B Reserved 001_B 5 010_B 6 011_B 7 100_B 8 101_B 10 110_B 12 111_B 14</p>
PPD	A12	<p>Precharge Power-Down DLL Control Active Power-Down will always be with DLL-on. Bit A12 will have no effect in this case. For Precharge Power-Down, bit A12 in MR0 is used to select the DLL usage as shown below.</p> <p>0_B Slow Exit. DLL is frozen during precharge Power-down. Read and synchronous ODT commands are only allowed after t_{XPDLL}.</p> <p>1_B Fast Exit. DLL remains on during precharge Power-down. Any command can be applied after t_{XP}, provided that other timing parameters are satisfied.</p>

1) A14,A13 - even if not available on a specific device - must be programmed to 0_B.

2.4 Mode Register 1 (MR1)

The Mode Register MR1 stores the data for enabling or disabling the DLL, output driver strength, R_{TT_Nom} impedance, additive latency (AL), Write leveling enable and Qoff (output disable). The Mode Register MR1 is written by asserting Low on CS#, RAS#, CAS#, WE#, High on BA0 and Low on BA1 and BA2, while controlling the states of address pins according to [Table 9](#).

BA2	BA1	BA0	A14 A13	A12	A11	A10	A9	A8	A7	A6	A5	A4	A3	A2	A1	A0
0	0	1	0 ¹⁾	Qoff	TDQS	0 ¹⁾	RTT_ nom	0 ¹⁾	Level	RTT_ nom	DIC	AL		RTT_ nom	DIC	DLL

Table 9 - MR1 Mode Register Definition (BA[2:0]=001_B)

Field	Bits ¹⁾	Description
DLLdis	A0	<p>DLL Disable</p> <p>The DLL must be enabled for normal operation. DLL enable is required during power up initialization, after reset and upon returning to normal operation after having the DLL disabled. During normal operation (DLL-on) with MR1(A0 = 0), the DLL is automatically disabled when entering Self-Refresh operation and is automatically re-enabled and reset upon exit of Self-Refresh operation. Any time the DLL is enabled, a DLL reset must be issued afterwards. Any time the DLL is reset, t_{DLLK} clock cycles must occur before a Read or synchronous ODT command can be issued to allow time for the internal clock to be synchronized with the external clock. Failing to wait for synchronization to occur may result in a violation of the t_{DQSQ}, t_{AON}, t_{AOF} or t_{ADC} parameters. During t_{DLLK}, CKE must continuously be registered high. DDR3L SDRAM does not require DLL for any Write operation, except when RTT_WR is enabled and the DLL is required for proper ODT operation.</p> <p>0_B DLL is enabled 1_B DLL is disabled</p>
DIC	A[5, 1]	<p>Output Driver Impedance Control</p> <p>Note: All other bit combinations are reserved.</p> <p>00: RZQ/6 01_B Nominal Drive Strength RON34 = RZQ/7 (nominal 34.3 Ω, with nominal RZQ = 240 Ω)</p>
R_{TT_NOM}	A[9, 6, 2]	<p>Nominal Termination Resistance of ODT</p> <p>Notes</p> <ol style="list-style-type: none"> If R_{TT_NOM} is used during Writes, only the values $R_{ZQ}/2$, $R_{ZQ}/4$ and $R_{ZQ}/6$ are allowed. In Write leveling Mode (MR1[bit7] = 1) with MR1[bit12] = 1, all R_{TT_Nom} settings are allowed; in Write Leveling Mode (MR1[bit7] = 1) with MR1[bit12] = 0, only R_{TT_NOM} settings of $R_{ZQ}/2$, $R_{ZQ}/4$ and $R_{ZQ}/6$ are allowed. All other bit combinations are reserved. <p>000_B ODT disabled, R_{TT_NOM} = off 001_B RTT60 = RZQ / 4 (nominal 60 Ω with nominal RZQ = 240 Ω) 010_B RTT120 = RZQ / 2 (nominal 120 Ω with nominal RZQ = 240 Ω) 011_B RTT40 = RZQ / 6 (nominal 40 Ω with nominal RZQ = 240 Ω) 100_B RTT20 = RZQ / 12 (nominal 20 Ω with nominal RZQ = 240 Ω) 101_B RTT30 = RZQ / 8 (nominal 30 Ω with nominal RZQ = 240 Ω)</p>
AL	A[4, 3]	<p>Additive Latency (AL)</p> <p>Any read or write command is held for the time of Additive Latency (AL) before it is issued as internal read or write command.</p> <p>Notes</p> <ol style="list-style-type: none"> AL has a value of CL - 1 or CL - 2 as per the CL value programmed in the MR0 register.

Field	Bits ¹⁾	Description
		00 _B AL = 0 (AL disabled) 01 _B AL = CL - 1 10 _B AL = CL - 2 11 _B Reserved
Write Leveling enable	A7	Write Leveling Mode 0 _B Write Leveling Mode Disabled, Normal operation mode 1 _B Write Leveling Mode Enabled
TDQS enable	A11	0 _B : Disabled 1 _B : Enabled
Qoff	A12	Output Disable Under normal operation, the SDRAM outputs are enabled during read operation and write leveling for driving data (Qoff bit in the MR1 is set to 0 _B). When the Qoff bit is set to 1 _B , the SDRAM outputs (DQ, DQS, DQS#) will be disabled - also during write leveling. Disabling the SDRAM outputs allows users to run write leveling on multiple ranks and to measure I_{DD} currents during Read operations, without including the output. 0 _B Output buffer enabled 1 _B Output buffer disabled

1) A14,A13 - even if not available on a specific device - must be programmed to 0_B.

2.5 Mode Register 2 (MR2)

The Mode Register MR2 stores the data for controlling refresh related features, R_{TT_WR} impedance, and CAS write latency. The Mode Register MR2 is written by asserting Low on CS#, RAS#, CAS#, WE#, High on BA1 and Low on BA0 and BA2, while controlling the states of address signals according to [Table 10](#).

BA2	BA1	BA0	A14 A13	A12	A11	A10	A9	A8	A7	A6	A5	A4	A3	A2	A1	A0
0	1	0	0 ¹⁾	0 ¹⁾	0 ¹⁾	Rtt_WR	0 ¹⁾	SRT	ASR	CWL			PASR			

Table 10 - MR2 Mode Register Definition (BA[2:0]=010_B)

Field	Bits ¹⁾	Description
PASR	A[2:0]	<p>Partial Array Self Refresh (PASR) If PASR (Partial Array Self Refresh) is enabled, data located in areas of the array beyond the specified self refresh location may get lost if self refresh is entered. During non-self-refresh operation, data integrity will be maintained if t_{REFI} conditions are met.</p> <p>000_B Full array (Banks 000_B - 111_B) 001_B Half Array(Banks 000_B - 011_B) 010_B Quarter Array(Banks 000_B - 001_B) 011_B 1/8th array (Banks 000_B) 100_B 3/4 array(Banks 010_B - 111_B) 101_B Half array(Banks 100_B - 111_B) 110_B Quarter array(Banks 110_B - 111_B) 111_B 1/8th array(Banks 111_B)</p>
CWL	A[5:3]	<p>CAS Write Latency (CWL) Number of clock cycles from internal write command to first write data in. <i>Note: All other bit combinations are reserved.</i></p> <p>000_B 5 ($t_{CK,AVG} \geq 2.5$ ns) 001_B 6 (2.5 ns > $t_{CK,AVG} \geq 1.875$ ns) 010_B 7 (1.875 ns > $t_{CK,AVG} \geq 1.5$ ns) 011_B 8 (1.5 ns > $t_{CK,AVG} \geq 1.25$ ns) 100_B 9 (1.25 ns > $t_{CK,AVG} \geq 1.07$ ns) 101_B 10 (1.07 ns > $t_{CK,AVG} \geq 0.935$ns)</p> <p><i>Note: Besides CWL limitations on $t_{CK(AVG)}$, there are also $t_{AA(MIN/MAX)}$ restrictions that need to be observed. For details, please refer to Chapter 4.1, Speed Bins.</i></p>
ASR	A6	<p>Auto Self-Refresh (ASR) When enabled, DDR3L SDRAM automatically provides Self-Refresh power management functions for all supported operating temperature values.</p> <p>0_B Manual SR reference (SRT) 1_B ASR enable</p>
SRT	A7	<p>Self-Refresh Temperature Range (SRT) The SRT bit must be programmed to indicate $T_{OPER} > 85$ °C during subsequent self refresh operation.</p> <p>0_B Normal operating temperature range 1_B Extended operating temperature range</p>
R_{TT_WR}	A[10:9]	<p>Dynamic ODT mode and R_{TT_WR} Pre-selection</p> <p>Notes</p> <ol style="list-style-type: none"> All other bit combinations are reserved. The R_{TT_WR} value can be applied during writes even when R_{TT_NOM} is disabled. During write leveling, Dynamic ODT is not available. <p>00_B Dynamic ODT mode disabled 01_B Dynamic ODT mode enabled with $R_{TT_WR} = RZQ/4 = 60 \Omega$ 10_B Dynamic ODT mode enabled with $R_{TT_WR} = RZQ/2 = 120\Omega$</p>

1) A14,A13 - even if not available on a specific device - must be programmed to 0_B.

2.6 Mode Register 3 (MR3)

The Mode Register MR3 controls Multipurpose registers and optional On-die thermal sensor (ODTS) feature. The Mode Register MR3 is written by asserting Low on CS#, RAS#, CAS#,

WE#, High on BA1 and BA0, and Low on BA2 while controlling the states of address signals according to

Table 11.

BA2	BA1	BA0	A14 A13	A12	A11	A10	A9	A8	A7	A6	A5	A4	A3	A2	A1	A0
0	1	1	0 ¹⁾	0 ¹⁾	0 ¹⁾	0 ¹⁾	0 ¹⁾	0 ¹⁾	0 ¹⁾	0 ¹⁾	0 ¹⁾	0 ¹⁾	0 ¹⁾	MPR	MPR loc	

Table 11 - MR3 Mode Register Definition (BA[2:0]=011_B)

Field	Bits ¹⁾	Description
MPR loc	A[1:0]	Multi Purpose Register Location 00 _B Pre-defined data pattern for read synchronization 01 _B RFU 10 _B RFU 11 _B ODTS On-Die Thermal sensor readout (optional)
MPR	A2	Multi Purpose Register Enable <i>Note: When MPR is disabled, MR3 A[1:0] will be ignored.</i> 0 _B MPR disabled, normal memory operation 1 _B Dataflow from the Multi Purpose register MPR

1) A14,A13 - even if not available on a specific device - must be programmed to 0_B.

2.7 Burst Order

Accesses within a given burst may be interleaved or nibble sequential depending on the programmed bit A3 in the mode register MR0.

Regarding read commands, the lower 3 column address bits CA[2:0] at read command time determine the start address for the read burst.

Regarding write commands, the burst order is always fixed. For writes with a burst length of 8, the inputs on the lower 3 column address bits CA[2:0] are ignored during the write command. For writes with a burst being chopped to 4, the input on column address 2 (CA[2]) determines if the lower or upper four burst bits are selected. In this case, the inputs on the lower 2 column address bits CA[1:0] are ignored during the write command. The following table shows burst order versus burst start address for reads and writes of bursts of 8 as well as of bursts of 4 operation (burst chop).

Table 12 - Bit Order during Burst

Burst Length	Command	Column Address 2:0			Interleaved Burst Sequence								Nibble Sequential Burst Sequence								Note
					Bit Order within Burst								Bit Order within Burst								
		CA2	CA1	CA0	1.	2.	3.	4.	5.	6.	7.	8.	1.	2.	3.	4.	5.	6.	7.	8.	
8	READ	0	0	0	0	1	2	3	4	5	6	7	0	1	2	3	4	5	6	7	1)
		0	0	1	1	0	3	2	5	4	7	6	1	2	3	0	5	6	7	4	1)
		0	1	0	2	3	0	1	6	7	4	5	2	3	0	1	6	7	4	5	1)
		0	1	1	3	2	1	0	7	6	5	4	3	0	1	2	7	4	5	6	1)
		1	0	0	4	5	6	7	0	1	2	3	4	5	6	7	0	1	2	3	1)
		1	0	1	5	4	7	6	1	0	3	2	5	6	7	4	1	2	3	0	1)
		1	1	0	6	7	4	5	2	3	0	1	6	7	4	5	2	3	0	1	1)
	1	1	1	7	6	5	4	3	2	1	0	7	4	5	6	3	0	1	2	1)	
	WRITE	V	V	V	0	1	2	3	4	5	6	7	0	1	2	3	4	5	6	7	1)2)
4 (Burst Chop Mode)	READ	0	0	0	0	1	2	3	T	T	T	T	0	1	2	3	T	T	T	T	1)3)4)
		0	0	1	1	0	3	2	T	T	T	T	1	2	3	0	T	T	T	T	1)3)4)
		0	1	0	2	3	0	1	T	T	T	T	2	3	0	1	T	T	T	T	1)3)4)
		0	1	1	3	2	1	0	T	T	T	T	3	0	1	2	T	T	T	T	1)3)4)
		1	0	0	4	5	6	7	T	T	T	T	4	5	6	7	T	T	T	T	1)3)4)
		1	0	1	5	4	7	6	T	T	T	T	5	6	7	4	T	T	T	T	1)3)4)
		1	1	0	6	7	4	5	T	T	T	T	6	7	4	5	T	T	T	T	1)3)4)
		1	1	1	7	6	5	4	T	T	T	T	7	4	5	6	T	T	T	T	1)3)4)
	WRITE	0	V	V	0	1	2	3	X	X	X	X	0	1	2	3	X	X	X	X	1)2)4)5)
		1	V	V	4	5	6	7	X	X	X	X	4	5	6	7	X	X	X	X	1)2)4)5)

- 1) 0...7 bit number is value of CA[2:0] that causes this bit to be the first read during a burst.
- 2) V: a valid logic level (0 or 1), but respective buffer input ignores level on input pins.
- 3) T: output drivers for data and strobe are in high impedance.
- 4) In case of BC4MRS (burst length being fixed to 4 by MR0 setting), the internal write operation starts two clock cycles earlier than for the BL8 modes. This means that the starting point for t_{WR} and t_{WTR} will be pulled in by two clocks. In case of BC4OTF mode (burst length being selected on-the-fly via A12 | BC#), the internal write operation starts at the same point in time as a burst of 8 write operation. This means that during on-the-fly control, the starting point for t_{WR} and t_{WTR} will not be pulled in by two clocks.
- 5) X: Don't Care.

3 Operating Conditions and Interface Specification

3.1 Absolute Maximum Ratings

Table 13 - Absolute Maximum Ratings

Parameter	Symbol	Rating		Unit	Note
		Min.	Max.		
Voltage on V_{DD} ball relative to V_{SS}	V_{DD}	-0.4	+1.975	V	1)2)
Voltage on V_{DDQ} ball relative to V_{SS}	V_{DDQ}	-0.4	+1.975	V	1)2)
Voltage on any ball relative to V_{SS}	V_{IN}, V_{OUT}	-0.4	+1.975	V	1)
Storage Temperature	T_{STG}	-55	+150	°C	1)3)

- 1) Stresses greater than those listed under "Absolute Maximum Ratings" may cause permanent damage to the device. This is a stress rating only and functional operation of the device at these or any other conditions above those indicated in the operational sections of this specification is not implied. Exposure to absolute maximum rating conditions for extended periods may affect reliability.
- 2) V_{DD} and V_{DDQ} must be within 300mV of each other at all times. V_{REFDQ} and V_{REFCA} must not be greater than $0.6 \times V_{DDQ}$. When V_{DD} and V_{DDQ} are less than 500 mV, V_{REFDQ} and V_{REFCA} may be equal or less than 300 mV.
- 3) Storage Temperature is the case surface temperature on the center/top side of the SDRAM. For the measurement conditions, please refer to JESD51-2 standard.

3.2 Operating Conditions

Table 14 - SDRAM Component Operating Temperature Range

Symbol	Parameter	Rating		Unit	Note ¹⁾⁻⁴⁾
		Min.	Max.		
T_{OPER}	Operating Temperature	0	+95	°C	Commercial Temperature
		-40	+95	°C	Industrial Temperature
		-40	+95	°C	Automotive A3 Temperature
		-40	+105	°C	Automotive A2 Temperature

- 1) Operating Temperature is the case surface temperature on the center / top side of the DRAM.
- 2) The operating temperature range are the temperatures where all DRAM specification will be supported.
- 3) When $85\text{ °C} \leq T_{CASE} \leq 105\text{ °C}$ the Auto-Refresh command interval has to be reduced to $t_{REFI} = 3.9\ \mu\text{s}$.

Table 15 - DC Operating Conditions

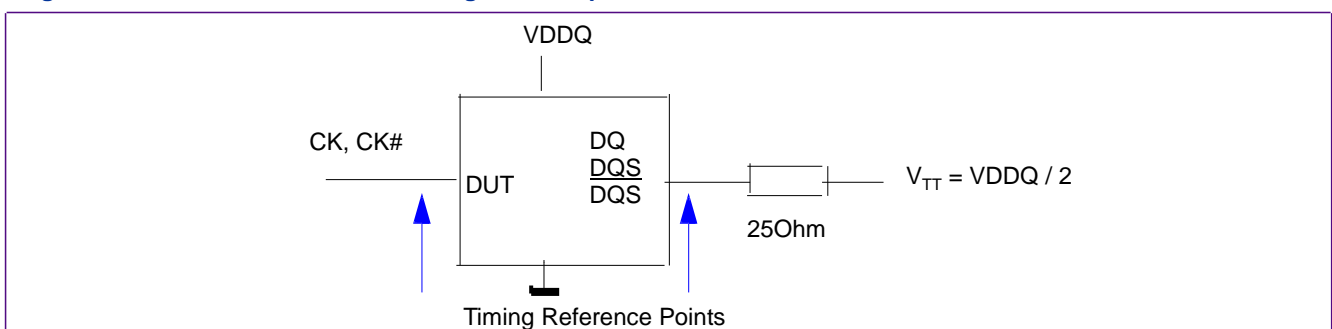
Parameter	Symbol	Min.	Typ.	Max.	Unit	Note
Supply Voltage – DDR3L (1.35V) operation	V_{DD}	1.283	1.35	1.45	V	1)2) 6)7)8)9)
Supply Voltage for Output – DDR3L (1.35V) operation	V_{DDQ}	1.283	1.35	1.45	V	1)2) 6)7)8)9)
Supply Voltage – DDR3 (1.5V) operation	V_{DD}	1.425	1.5	1.575	V	1)2) 10)11)1 2)
Supply Voltage for Output – DDR3 (1.5V) operation	V_{DDQ}	1.425	1.5	1.575	V	1)2) 10)11)1 2)
Reference Voltage for DQ, DM inputs	$V_{REFDQ.DC}$	$0.49 \times V_{DD}$	$0.5 \times V_{DD}$	$0.51 \times V_{DD}$	V	3)4)
Reference Voltage for ADD, CMD inputs	$V_{REFCA.DC}$	$0.49 \times V_{DD}$	$0.5 \times V_{DD}$	$0.51 \times V_{DD}$	V	3)4)
External Calibration Resistor connected from ZQ ball to ground	R_{ZQ}	237.6	240.0	242.4	Ω	5)

- 1) V_{DDQ} tracks with V_{DD} . AC parameters are measured with V_{DD} and V_{DDQ} tied together.
- 2) Under all conditions V_{DDQ} must be less than or equal to V_{DD} .
- 3) The ac peak noise on V_{REF} may not allow V_{REF} to deviate from $V_{REF.DC}$ by more than $\pm 1\% V_{DD}$ (for reference: approx. ± 15 mV).
- 4) For reference: approx. $V_{DD}/2 \pm 15$ mV.
- 5) The external calibration resistor R_{ZQ} can be time-shared among DRAMs in multi-rank DIMMs.
- 6) Maximum DC value may not be greater than 1.425V. The DC value is the linear average of $V_{DD}/V_{DDQ}(t)$ over a very long period of time (for example, 1 sec).
- 7) If the maximum limit is exceeded, input levels shall be governed by DDR3 specifications.
- 8) Under these supply voltages, the device operates to this DDR3L specification.
- 9) Once initialized for DDR3L operation, DDR3 operation may only be used if the device is in reset while V_{DD} and V_{DDQ} are changed for DDR3 operation.
- 10) If the minimum limit is exceeded, input levels shall be governed by DDR3L specifications.
- 11) Under 1.5V operation, this DDR3L device operates in accordance with the DDR3 specifications under the same speed timings as defined for this device.
- 12) Once initialized for DDR3 operation, DDR3L operation may only be used if the device is in reset while V_{DD} and V_{DDQ} are changed for DDR3L operation.

3.3 Interface Test Conditions

Figure 3 represents the effective reference load of 25 Ω used in defining the relevant timing parameters of the device as well as for output slew rate measurements. It is not intended as either a precise representation of the typical system environment nor a depiction of the actual load presented by a production tester. System designers should use IBIS or other simulation tools to correlate the timing reference load to a system environment. Manufacturers correlate to their production test conditions, generally one or more coaxial transmission lines terminated at the tester electronics.

Figure 3 - Reference Load for AC Timings and Output Slew Rates



The Timing Reference Points are the idealized input and output nodes / terminals on the outside of the packaged SDRAM device as they would appear in a schematic or an IBIS model.

The output timing reference voltage level for single ended signals is the cross point with V_{TT} .

The output timing reference voltage level for differential signals is the cross point of the true (e.g. DQS) and the complement (e.g. DQS#) signal.

3.4 Voltage Levels

3.4.1 DC and AC Logic Input Levels

Single-Ended Signals

Table 16 shows the input levels for single-ended input signals.

Table 16 - DC and AC Input Levels for Single-Ended Command, Address and Control Signals

Parameter	Symbol	DDR3L-1066,1333,1600		DDR3L-1866		Unit	Note
		Min.	Max.	Min.	Max.		
DC input logic high	$V_{IH.CA.DC(DC90)}$	$V_{REF} + 0.09$	V_{DD}	$V_{REF} + 0.09$	V_{DD}	V	1)
DC input logic low	$V_{IL.CA.DC(DC90)}$	V_{SS}	$V_{REF} - 0.09$	V_{SS}	$V_{REF} - 0.09$	V	1)
AC input logic high	$V_{IH.CA.AC(AC16)}$	$V_{REF} + 0.160$	See ²⁾	--	--	V	1)
AC input logic low	$V_{IL.CA.AC(AC160)}$	See ²⁾	$V_{REF} - 0.160$	--	--	V	1)
AC input logic high	$V_{IH.CA.AC(AC13)}$	$V_{REF} + 0.135$	See ²⁾	$V_{REF} + 0.135$	See ²⁾	V	1)
AC input logic low	$V_{IL.CA.AC(AC135)}$	See ²⁾	$V_{REF} - 0.135$	See ²⁾	$V_{REF} - 0.135$	V	1)
AC input logic high	$V_{IH.CA.AC(AC12)}$	--	--	$V_{REF} + 0.125$	See ²⁾	V	1)
AC input logic low	$V_{IL.CA.AC(AC125)}$	--	--	See ²⁾	$V_{REF} - 0.125$	V	1)

1) For input only pins except RESET: $V_{REF} = V_{REF,CA}$

2) See [Chapter 3.9, Overshoot and Undershoot Specification](#).

Table 17 - DC and AC Input Levels for Single-Ended DQ and DM Signals

Parameter	Symbol	DDR3L-1066		DDR3L-1333,1600		DDR3L-1866		Unit	Note
		Min.	Max.	Min.	Max.	Min.	Max.		
DC input logic high	$V_{IH.DQ.DC(DC90)}$	$V_{REF} + 0.09$	V_{DD}	$V_{REF} + 0.09$	V_{DD}	$V_{REF} + 0.09$	V_{DD}	V	1)
DC input logic low	$V_{IL.DQ.DC(DC90)}$	V_{SS}	$V_{REF} - 0.09$	V_{SS}	$V_{REF} - 0.09$	V_{SS}	$V_{REF} - 0.09$	V	1)
AC input logic high	$V_{IH.DQ.AC(AC160)}$	$V_{REF} +$	See ²⁾	--	--	--	--	V	1)
AC input logic low	$V_{IL.DQ.AC(AC160)}$	See ²⁾	$V_{REF} - 0.160$	--	--	--	--	V	1)
AC input logic high	$V_{IH.DQ.AC(AC135)}$	$V_{REF} +$	See ²⁾	V_{REF}	See ²⁾	--	--	V	1)
AC input logic low	$V_{IL.DQ.AC(AC135)}$	See ²⁾	$V_{REF} - 0.135$	See ²⁾	$V_{REF} - 0.135$	--	--	V	1)
AC input logic high	$V_{IH.DQ.AC(AC130)}$	--	--	--	--	$V_{REF} + 0.130$	See ²⁾	V	1)
AC input logic low	$V_{IL.DQ.AC(AC130)}$	--	--	--	--	See ²⁾	$V_{REF} - 0.130$	V	1)

1) For DQ and DM: $V_{REF} = V_{REF,DQ}$

2) See [Chapter 3.9, Overshoot and Undershoot Specification](#)

Differential Swing Requirement for Differential Signals

Table 18 shows the input levels for differential input signals.

Table 18 - Differential swing requirement for clock (CK - CK#) and strobe (DQS - DQS#)

Parameter	Symbol	DDR3L-1066, 1333,1600,1866		Unit	Note
		Min.	Max.		
Differential input high	$V_{IH,DIFF}$	+0.180	See ¹⁾	V	2)
Differential input low	$V_{IL,DIFF}$	See ¹⁾	-0.180	V	2)
Differential input high AC	$V_{IH,DIFF,AC}$	$2 \times (V_{IH,AC} - V_{REF})$ ³⁾	See ¹⁾	V	4)
Differential input low AC	$V_{IL,DIFF,AC}$	See ¹⁾	$2 \times (V_{IL,AC} - V_{REF})$ ⁵⁾	V	4)

- 1) These values are not defined, however they single-ended signals CK, CK#, DQS, DQS# need to be within the respective limits ($V_{IH,DC,MAX}$, $V_{IL,DC,MIN}$) for single-ended signals as well as the limitations for overshoot and undershoot. Refer to Chapter 3.9.
- 2) Used to define a differential signal slew-rate.
- 3) Clock: use $V_{IH,CA,AC}$ for $V_{IH,AC}$. Strobe: use $V_{IH,DQ,AC}$ for $V_{IH,AC}$.
- 4) For CK - CK# use $V_{IH/VIL,AC}$ of ADD/CMD and V_{REFCA} ; for DQS - DQS# use $V_{IH/VIL,AC}$ of DQs and V_{REFDQ} ; if a reduced ac-high or ac-low level is used for a signal group, then the reduced level applies also here.
- 5) Clock: use $V_{IL,CA,AC}$ for $V_{IL,AC}$. Strobe: use $V_{IL,DQ,AC}$ for $V_{IL,AC}$.

Table 19 - Allowed Time Before Ringback (tDVAC) for CK - CK# and DQS - DQS#

Slew Rate [V/ns]	DDR3L-800/1066/1333/1600				DDR3L-1866					
	tDVAC [ps] @ $ V_{IH/L,DIFF,AC} = 320mV$		tDVAC [ps] @ $ V_{IH/L,DIFF,AC} = 270mV$		tDVAC [ps] @ $ V_{IH/L,DIFF,AC} = 270mV$		tDVAC [ps] @ $ V_{IH/L,DIFF,AC} = 250mV$		tDVAC [ps] @ $ V_{IH/L,DIFF,AC} = 260mV$	
	Min.	Max.	Min.	Max.	Min.	Max.	Min.	Max.	Min.	Max.
> 4.0	189	—	201	—	163	—	168	—	176	—
4.0	189	—	201	—	163	—	168	—	176	—
3.0	162	—	179	—	140	—	147	—	154	—
2.0	109	—	134	—	95	—	105	—	111	—
1.8	91	—	119	—	80	—	91	—	97	—
1.6	69	—	100	—	62	—	74	—	78	—
1.4	40	—	76	—	37	—	52	—	56	—
1.2	NOTE	—	44	—	5	—	22	—	24	—
1.0	NOTE	—	NOTE	—	NOTE	—	NOTE	—	NOTE	—
<1.0	NOTE	—	NOTE	—	NOTE	—	NOTE	—	NOTE	—

Note: Rising input differential signal shall become equal to or greater than $V_{IHdiff(ac)}$ level and Falling input differential signal shall become equal to or less than $V_{ILdiff(ac)}$ level.

Single-Ended Requirements for Differential Signals

Each individual component of a differential signal (CK, DQS, CK#, DQS#,) has also to comply with certain requirements for single-ended signals.

CK and CK# have to approximately reach $V_{SEH.MIN} / V_{SEL.MAX}$ (approximately equal to the ac-levels ($V_{IH.AC} / V_{IL.AC}$) for ADD/CMD signals) in every half-cycle. DQS, DQS# have to reach $V_{SEH.MIN} / V_{SEL.MAX}$ (approximately the ac-levels ($V_{IH.AC} / V_{IL.AC}$) for DQ signals) in every half-cycle proceeding and following a valid transition.

Note that the applicable ac-levels for ADD/CMD and DQs might be different per speed-bin etc.

E.g. if $V_{IH160.AC} / V_{IL160.AC}$ is used for ADD/CMD signals, then these ac-levels apply also for the single-ended signals CK and CK#.

Note that while ADD/CMD and DQ signal requirements are with respect to V_{ref} , the single-ended components of differential signals have a requirement with respect to $V_{DD}/2$; this is nominally the same. The transition of single-ended signals through the ac-levels is used to measure setup time.

For single-ended components of differential signals the requirement to reach $V_{SEL.MAX}$, $V_{SEH.MIN}$ has no bearing on timing, but adds a restriction on the common mode characteristics of these signals.

Table 20 - Each Single-Ended Levels for CK, DQS, DQS#, CK#

Parameter	Symbol	DDR3L-1066, 1333, 1600, 1866		Unit	Note
		Min.	Max.		
Single-ended high-level for strobes	V_{SEH}	$(V_{DDQ}/2)+0.160$	See ¹⁾	V	2)3)
Single-ended high-level for CK, CK#	V_{SEH}	$(V_{DD}/2)+0.160$	See ¹⁾	V	
Single-ended low-level for strobes	V_{SEL}	See ¹⁾	$(V_{DDQ}/2)-0.160$	V	
Single-ended low-level for CK, CK#	V_{SEL}	See ¹⁾	$(V_{DD}/2)-0.160$	V	

1) These values are not defined, however they single-ended signals CK, CK#, DQS, DQS# need to be within the respective limits ($V_{IH.DC.MAX}$, $V_{IL.DC.MIN}$) for single-ended signals as well as the limitations for overshoot and undershoot.

2) For CK, CK# use $V_{IH.AC} / V_{IL.AC}$ of ADD/CMD; for strobes (DQS, DQS#) use $V_{IH.AC} / V_{IL.AC}$ of DQs.

3) $V_{IH.AC} / V_{IL.AC}$ for DQs is based on V_{REFDQ} ; $V_{IH.AC} / V_{IL.AC}$ for ADD/CMD is based on V_{REFCA} ; if a reduced ac-high or ac-low level is used for a signal group, then the reduced level applies also here.

Table 21 - Cross Point Voltage for Differential Input Signals (CK, DQS)

Symbol	Parameter	DDR3L-1066, 1333, 1600,1866		Unit	Note
		Min.	Max.		
V_{IX}	Differential Input Cross Point Voltage relative to $V_{DD}/2$ for CK – CK#	-150	150	mV	1)
V_{IX}	Differential Input Cross Point Voltage relative to $V_{DD}/2$ for DQS –DQS#	-150	150	mV	1)

1) the relation between V_{ix} min/max and V_{SEL}/V_{SEH} should satisfy following:

$$V_{DD}/2+V_{ix}(min)-V_{SEL} \geq 25mv$$

$$V_{SEH}-(V_{DD}/2+V_{ix}(max)) \geq 25mv$$

3.4.2 DC and AC Output Measurements Levels

Table 22 - DC and AC Output Levels for Single-Ended Signals

Parameter	Symbol	Value	Unit	Note
DC output high measurement level (for IV curve linearity)	$V_{OH.DC}$	$0.8 \times V_{DDQ}$	V	
DC output mid measurement level (for IV curve linearity)	$V_{OM.DC}$	$0.5 \times V_{DDQ}$	V	
DC output low measurement level (for IV curve linearity)	$V_{OL.DC}$	$0.2 \times V_{DDQ}$	V	
AC output high measurement level (for output slew rate)	$V_{OH.AC}$	$V_{TT} + 0.1 \times V_{DDQ}$	V	1)
AC output low measurement level (for output slew rate)	$V_{OL.AC}$	$V_{TT} - 0.1 \times V_{DDQ}$	V	1)

1) Background: the swing of $\pm 0.1 \times V_{DDQ}$ is based on approximately 50% of the static differential output high or low swing with a driver impedance of 40Ω and an effective test load of 25Ω to $V_{TT} = V_{DDQ} / 2$.

Table 23 - AC Output Levels for Differential Signals

Parameter	Symbol	Value	Unit	Note
AC differential output high measurement level (for output slew rate)	$V_{OH.DIFF.AC}$	$+0.18 \times V_{DDQ}$	V	1)
AC differential output low measurement level (for output slew rate)	$V_{OL.DIFF.AC}$	$-0.18 \times V_{DDQ}$	V	1)
Deviation of the output cross point voltage from the termination voltage	V_{OX}	Min.	Max.	mV 2)
		$V_{REF} - 135$	$V_{REF} + 135$	

1) Background: the swing of $\pm 0.2 \times V_{DDQ}$ is based on approximately 50% of the static differential output high or low swing with a driver impedance of 40Ω and an effective test load of 25Ω to $V_{TT} = V_{DDQ} / 2$ at each of the differential outputs.

2) With an effective test load of 25Ω to $V_{TT} = V_{DDQ} / 2$ at each of the differential outputs (see chapter [Chapter 3.3, Interface Test Conditions](#)).

3.5 Output Slew Rates

Table 24 - Output Slew Rates

Parameter	Symbol	DDR3L-1066 /-1333 /-1600/-1866		Unit	Note
		Min.	Max.		
Single-ended Output Slew Rate	SRQse	1.75	6	V / ns	1)2)
Differential Output Slew Rate	SRQdiff	3.5	12	V / ns	

1) For $R_{ON} = R_{ZQ}/7$ settings only.

2) Background for Symbol Nomenclature: SR: Slew Rate; Q: Query Output; se: single-ended; diff: differential

3.6 ODT DC Impedance and Mid-Level Characteristics

Table 25 provides the ODT DC impedance and mid-level characteristics.

Table 25 - ODT DC Impedance and Mid-Level Characteristics

Symbol	Description	V _{OUT} Condition	Min.	Nom.	Max.	Unit	Note
R _{TT120}	R _{TT} effective = 120 Ω	V _{IL,AC} and V _{IH,AC}	0.9	1.0	1.65	R _{ZQ} /2	1)2)3)4)
R _{TT60}	R _{TT} effective = 60 Ω		0.9	1.0	1.65	R _{ZQ} /4	1)2)3)4)
R _{TT40}	R _{TT} effective = 40 Ω		0.9	1.0	1.65	R _{ZQ} /6	1)2)3)4)
R _{TT30}	R _{TT} effective = 30 Ω		0.9	1.0	1.65	R _{ZQ} /8	1)2)3)4)
R _{TT20}	R _{TT} effective = 20 Ω		0.9	1.0	1.65	R _{ZQ} /12	1)2)3)4)
ΔV _M	Deviation of V _M with respect to V _{DDQ} / 2	floating	-5	—	+5	%	1)2)3)4)5)

- 1) With R_{ZQ} = 240 Ω.
- 2) Measurement definition for R_{TT}: Apply V_{IH,AC} and V_{IL,AC} to test ball separately, then measure current I(V_{IH,AC}) and I(V_{IL,AC}) respectively.

$$R_{TT} = [V_{IH,AC} - V_{IL,AC}] / [I(V_{IH,AC}) - I(V_{IL,AC})]$$
- 3) The tolerance limits are specified after calibration with stable voltage and temperature. For the behavior of the tolerance limits if temperature or voltage changes after calibration, see the **ODT DC Impedance Sensitivity on Temperature and Voltage Drifts**.
- 4) The tolerance limits are specified under the condition that V_{DDQ} = V_{DD} and that V_{SSQ} = V_{SS}.
- 5) Measurement Definition for ΔV_M: Measure voltage (V_M) at test ball (midpoint) with no load: ΔV_M = (2 × V_M / V_{DDQ} - 1) × 100%.

3.7 ODT DC Impedance Sensitivity on Temperature and Voltage Drifts

If temperature and/or voltage change after calibration, the tolerance limits widen for R_{TT} according to the following tables. The following definitions are used:

$$\Delta T = T - T \text{ (at calibration)}$$

$$\Delta V = V_{DDQ} - V_{DDQ} \text{ (at calibration)}$$

$$V_{DD} = V_{DDQ}$$

Table 26 - ODT DC Impedance after proper IO Calibration and Voltage/Temperature Drift

Symbol	Value		Unit	Note
	Min.	Max.		
R _{TT}	0.9 - dR _{TT} dT × ΔT - dR _{TT} dV × ΔV	1.65 + dR _{TT} dT × ΔT + dR _{TT} dV × ΔV	R _{ZQ} / TISF _{R_{TT}}	1)

- 1) TISF_{R_{TT}}: Termination Impedance Scaling Factor for R_{TT}:

$$TISF_{R_{TT}} = 12 \text{ for } R_{TT020}$$

$$TISF_{R_{TT}} = 8 \text{ for } R_{TT030}$$

$$TISF_{R_{TT}} = 6 \text{ for } R_{TT040}$$

$$TISF_{R_{TT}} = 4 \text{ for } R_{TT060}$$

$$TISF_{R_{TT}} = 2 \text{ for } R_{TT120}$$

Table 27 - ODT DC Impedance Sensitivity Parameters

Symbol	Value		Unit	Note
	Min.	Max.		
dR _{TT} dT	0	1.5	%/°C	1)
dR _{TT} dV	0	0.15	%/mV	

- 1) These parameters may not be subject to production test. They are verified by design and characterization.

3.8 Interface Capacitance

Definition and values for interface capacitances are provided in the following table.

Table 28 - Interface Capacitance Values

Parameter	Signals	Symbol	DDR3L–1066		DDR3L–1333		DDR3L–1600		DDR3L–1866		Unit	Note
			Min.	Max.	Min.	Max.	Min.	Max.	Min.	Max.		
Input/Output Capacitance	DQ, DM, DQS, DQS#	C_{IO}	1.4	2.5	1.4	2.3	1.4	2.2	1.4	2.1	pF	1)2)3)
Input Capacitance	CK, CK#	C_{CK}	0.8	1.6	0.8	1.4	0.8	1.4	0.8	1.3	pF	2)3)
Input Capacitance Delta	CK, CK#	C_{DCK}	0	0.15	0	0.15	0	0.15	0	0.15	pF	2)3)4)
Input/Output Capacitance delta DQS and DQS#	DQS, DQS#	C_{DDQS}	0	0.2	0	0.15	0	0.15	0	0.15	pF	2)3)5)
Input Capacitance	All other input-only pins	C_I	0.75	1.3	0.75	1.3	0.75	1.2	0.75	1.2	pF	2)3)6)
Input Capacitance delta	All CTRL input-only pins	C_{DI_CTRL}	-0.5	0.3	-0.4	0.2	-0.4	0.2	-0.4	0.2	pF	2)3)7)8)
Input Capacitance delta	All ADD and CMD input-only pins	$C_{DI_ADD_CMD}$	-0.5	0.5	-0.4	0.4	-0.4	0.4	-0.4	0.4	pF	2)3)9)10)
Input/Output Capacitance delta	DQ, DM, DQS, DQS#	C_{DIO}	-0.5	0.3	-0.5	0.3	-0.5	0.3	-0.5	0.3	pF	2)3)11)
ZQ Capacitance	ZQ	C_{ZQ}	-	3	-	3	-	3	-	3	pF	12)

- 1) Although the DM signal has different function, the loading matches DQ and DQS.
- 2) This parameter is not subject to production test. It is verified by design and characterization. Capacitance is measured according to JEP147 (Procedure for measuring input capacitance using a vector network analyzer (VNA) with V_{DD} , V_{DDQ} , V_{SS} , V_{SSQ} applied and all other balls floating (except the ball under test, CKE, RESET# and ODT as necessary). $V_{DD} = V_{DDQ} = 1.5\text{ V}$, $V_{BIAS} = V_{DD}/2$ and on-die termination off.
- 3) This parameter applies to monolithic devices only; stacked/dual-die devices are not covered here.
- 4) Absolute value of $C_{CK} - C_{CK\#}$.
- 5) Absolute value of $C_{IO,DQS} - C_{IO,DQS\#}$.
- 6) C_I applies to ODT, CS#, CKE, A[15:0], BA[2:0], RAS#, CAS#, WE#.
- 7) C_{DI_CTRL} applies to ODT, CS# and CKE.
- 8) $C_{DI_CTRL} = C_{I,CTRL} - 0.5 \times (C_{I,CK} + C_{I,CK\#})$.
- 9) $C_{DI_ADD_CMD}$ applies to A[15:0], BA[2:0], RAS#, CAS# and WE#.
- 10) $C_{DI_ADD_CMD} = C_{I,ADD,CMD} - 0.5 \times (C_{I,CK} + C_{I,CK\#})$.
- 11) $C_{DIO} = C_{IO,DQ,DM} - 0.5 \times (C_{IO,DQS} + C_{IO,DQS\#})$.
- 12) Maximum external load capacitance on ZQ signal: 5 pF.

3.9 Overshoot and Undershoot Specification

Table 29 - AC Overshoot / Undershoot Specification for Address and Control Signals

Parameter	DDR3L-1066	DDR3L-1333	DDR3L-1600	DDR3L-1866	Unit	Note
Maximum peak amplitude allowed for overshoot area	0.4	0.4	0.4	0.4	V	1)
Maximum peak amplitude allowed for undershoot area	0.4	0.4	0.4	0.4	V	1)
Maximum overshoot area above V_{DD}	0.5	0.4	0.33	0.28	V x ns	1)
Maximum undershoot area below V_{SS}	0.5	0.4	0.33	0.28	V x ns	1)

1) Applies for the following signals: A[14:0], BA[3:0], CS#, RAS#, CAS#, WE#, CKE and ODT.

Figure 4 - AC Overshoot / Undershoot Definitions for Address and Control Signals

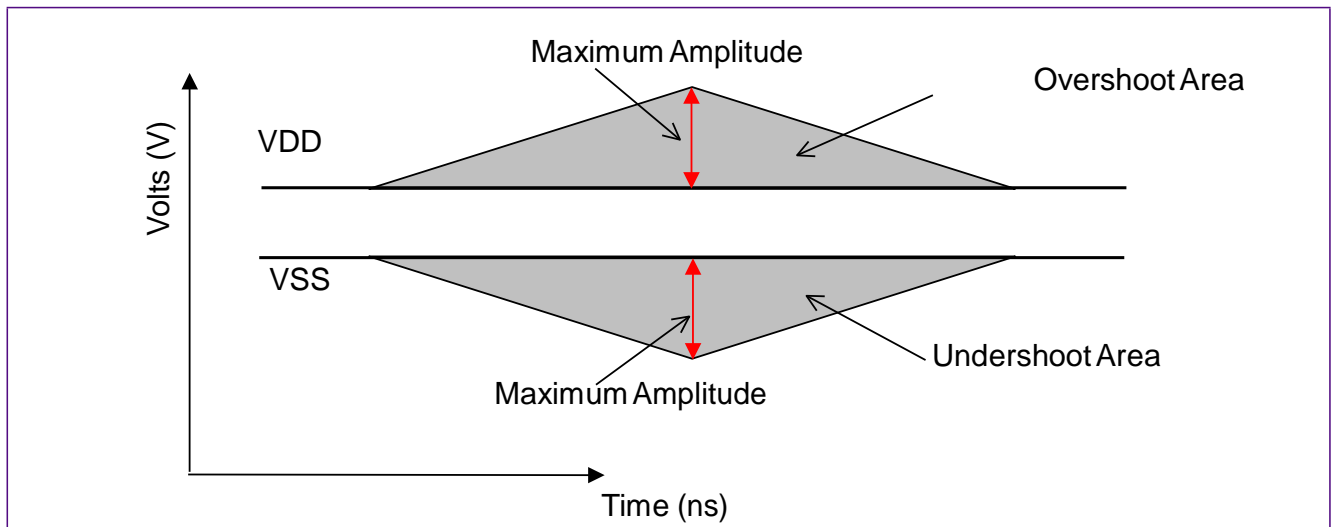
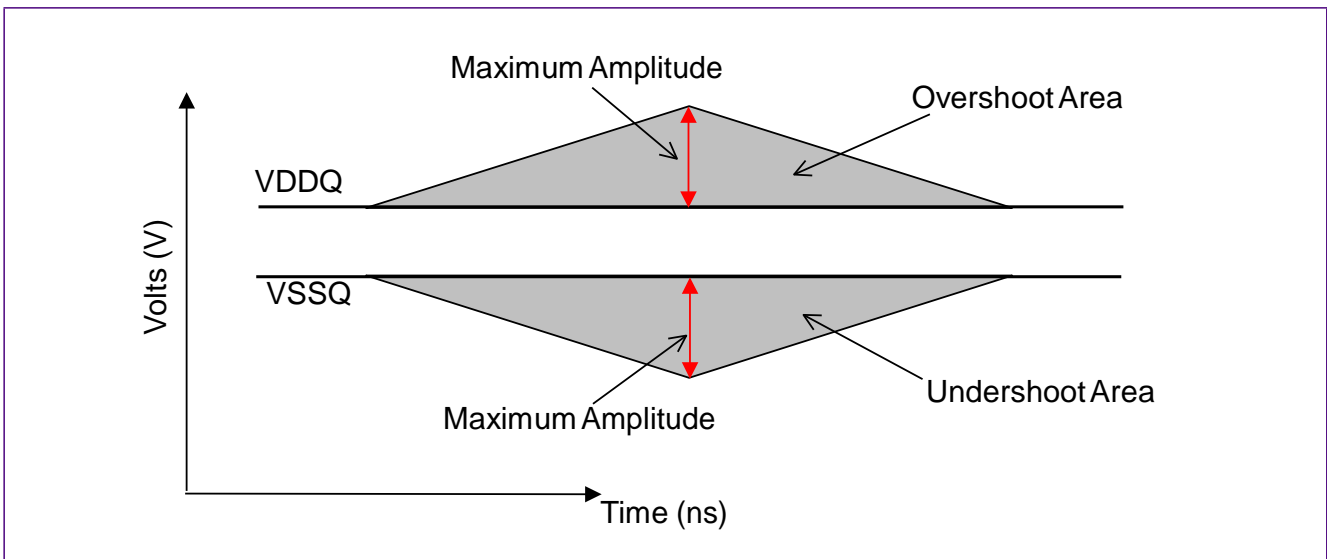


Table 30 - AC Overshoot / Undershoot Specification for Clock, Data, Strobe and Mask Signals

Parameter	DDR3L-1066	DDR3L-1333	DDR3L-1600	DDR3L-1866	Unit	Note
Maximum peak amplitude allowed for overshoot area	0.4	0.4	0.4	0.4	V	1)
Maximum peak amplitude allowed for undershoot area	0.4	0.4	0.4	0.4	V	1)
Maximum overshoot area above V_{DDQ}	0.19	0.15	0.13	0.11	V x ns	1)
Maximum undershoot area below V_{SSQ}	0.19	0.15	0.13	0.11	V x ns	1)

1) Applies for CK, CK#, DQ, DQS, DQS# & DM.

Figure 5 - AC Overshoot / Undershoot Definitions for Clock, Data, Strobe and Mask Signals



4 Speed Bins, AC Timing and IDD

4.1 Speed Bins

The following tables show DDR3L speed bins and relevant timing parameters. Other timing parameters are provided in the following chapter. For availability and ordering information of products for a specific speed bin, please see [Table 1](#).

The absolute specification for all speed bins is T_{OPER} and $V_{DD} = V_{DDQ} = 1.35V(1.283-1.45V)$. In addition the following general notes apply.

Table 31 - DDR3L-1066 Speed Bins

Speed Bin			DDR3L-1066F		Unit	Notes	
CL-nRCD-nRP			7-7-7				
Parameter	Symbol	Min	Max				
Internal read command to first data	tAA	13.125	20		ns		
Active to read or write delay time	tRCD	13.125	-		ns		
Precharge command period	tRP	13.125	-		ns		
Active to active/auto-refresh command time	tRC	50.625	-		ns		
Active to precharge command period	tRAS	37.5	9 * tREFI		ns	9	
Average Clock Cycle Time	CL = 5	CWL = 5	tCK(avg)	3.0	3.3	ns	1,2,3,5
		CWL = 6	tCK(avg)	Reserved	Reserved	ns	4
	CL = 6	CWL = 5	tCK(avg)	2.5	3.3	ns	1,2,3,5
		CWL = 6	tCK(avg)	Reserved	Reserved	ns	4
	CL = 7	CWL = 5	tCK(avg)	Reserved	Reserved	ns	4
		CWL = 6	tCK(avg)	1.875	< 2.5	ns	1,2,3
	CL = 8	CWL = 5	tCK(avg)	Reserved	Reserved	ns	4
		CWL = 6	tCK(avg)	1.875	< 2.5	ns	1,2,3
Supported CL setting			5, 6, 7, 8		nCK		
Supported CWL setting			5, 6		nCK		

Table 32 - DDR3L-1333 Speed Bins

Speed Bin			DDR3L-1333H		Unit	Notes	
CL-nRCD-nRP			9-9-9				
Parameter	Symbol		Min	Max			
Internal read command to first data	tAA		13.5	20	ns	10	
Active to read or write delay time	tRCD		13.5	-	ns	10	
Precharge command period	tRP		13.5	-	ns	10	
Active to active/auto-refresh command time	tRC		49.5	-	ns	10	
Active to precharge command period	tRAS		36	9 * tREFI	ns	9	
Average Clock Cycle Time	CL = 5	CWL = 5	tCK(avg)	3.0	3.3	ns	1,2,3,6
		CWL = 6,7	tCK(avg)	Reserved	Reserved	ns	4
	CL = 6	CWL = 5	tCK(avg)	2.5	3.3	ns	1,2,3,6
		CWL = 6	tCK(avg)	Reserved	Reserved	ns	4
		CWL = 7	tCK(avg)	Reserved	Reserved	ns	4
	CL = 7	CWL = 5	tCK(avg)	Reserved	Reserved	ns	4
		CWL = 6	tCK(avg)	1.875	< 2.5	ns	1,2,3,6
		CWL = 7	tCK(avg)	Reserved	Reserved	ns	4
	CL = 8	CWL = 5	tCK(avg)	Reserved	Reserved	ns	4
		CWL = 6	tCK(avg)	1.875	< 2.5	ns	1,2,3,6
		CWL = 7	tCK(avg)	Reserved	Reserved	ns	4
	CL = 9	CWL = 5, 6	tCK(avg)	Reserved	Reserved	ns	4
		CWL = 7	tCK(avg)	1.5	< 1.875	ns	1,2,3
	CL = 10	CWL = 5, 6	tCK(avg)	Reserved	Reserved	ns	4
CWL = 7		tCK(avg)	1.5	< 1.875	ns	1,2,3	
Supported CL setting			5, 6, 7, 8, 9, 10		nCK		
Supported CWL setting			5, 6, 7		nCK		

Table 33 - DDR3L-1600 Speed Bins

Speed Bin			DDR3L-1600K		Unit	Notes	
CL-nRCD-nRP			11-11-11				
Parameter	Symbol	Min	Max				
Internal read command to first data	tAA	13.75	20		ns	10	
Active to read or write delay time	tRCD	13.75	-		ns	10	
Precharge command period	tRP	13.75	-		ns	10	
Active to active/auto-refresh command time	tRC	48.75	-		ns	10	
Active to precharge command period	tRAS	35	9 * tREFI		ns	9	
Average Clock Cycle Time	CL = 5	CWL = 5	tCK(avg)	3.0	3.3	ns	1,2,3,7
		CWL = 6,7	tCK(avg)	Reserved	Reserved	ns	4
	CL = 6	CWL = 5	tCK(avg)	2.5	3.3	ns	1,2,3,7
		CWL = 6	tCK(avg)	Reserved	Reserved	ns	4
		CWL = 7	tCK(avg)	Reserved	Reserved	ns	4
	CL = 7	CWL = 5	tCK(avg)	Reserved	Reserved	ns	4
		CWL = 6	tCK(avg)	1.875	< 2.5	ns	1,2,3,7
		CWL = 7	tCK(avg)	Reserved	Reserved	ns	4
	CL = 8	CWL = 5	tCK(avg)	Reserved	Reserved	ns	4
		CWL = 6	tCK(avg)	1.875	< 2.5	ns	1,2,3,7
		CWL = 7	tCK(avg)	Reserved	Reserved	ns	4
	CL = 9	CWL = 5, 6	tCK(avg)	Reserved	Reserved	ns	4
		CWL = 7	tCK(avg)	1.5	< 1.875	ns	1,2,3,7
	CL = 10	CWL = 5, 6	tCK(avg)	Reserved	Reserved	ns	4
		CWL = 7	tCK(avg)	1.5	< 1.875	ns	1,2,3,7
		CWL = 8	tCK(avg)	Reserved	Reserved	ns	4
	CL = 11	CWL = 5, 6,7	tCK(avg)	Reserved	Reserved	ns	4
		CWL = 8	tCK(avg)	1.25	< 1.5	ns	1,2,3
Supported CL setting			5, 6, 7, 8, 9, 10,11		nCK		
Supported CWL setting			5, 6, 7, 8		nCK		

Table 34 - DDR3L-1866 Speed Bins

Speed Bin			DDR3L-1866M		Unit	Notes	
CL-nRCD-nRP			13-13-13				
Parameter	Symbol		Min	Max			
Internal read command to first data	tAA		13.91	20	ns	11	
Active to read or write delay time	tRCD		13.91	-	ns	11	
Precharge command period	tRP		13.91	-	ns	11	
Active to active/auto-refresh command time	tRC		47.91	-	ns	11	
Active to precharge command period	tRAS		34	9 * tREFI	ns	9	
Average Clock Cycle Time	CL = 5	CWL = 5	tCK(avg)	3.0	3.3	ns	1,2,3,8
		CWL = 6,7	tCK(avg)	Reserved	Reserved	ns	4
	CL = 6	CWL = 5	tCK(avg)	2.5	3.3	ns	1,2,3,8
		CWL = 6	tCK(avg)	Reserved	Reserved	ns	4
		CWL = 7	tCK(avg)	Reserved	Reserved	ns	4
	CL = 7	CWL = 5	tCK(avg)	Reserved	Reserved	ns	4
		CWL = 6	tCK(avg)	1.875	<2.5	ns	1,2,3,8
		CWL = 7	tCK(avg)	Reserved	Reserved	ns	1,2,3,8
	CL = 8	CWL = 5	tCK(avg)	Reserved	Reserved	ns	4
		CWL = 6	tCK(avg)	1.875	<2.5	ns	1,2,3,8
		CWL = 7	tCK(avg)	Reserved	Reserved	ns	4
	CL = 9	CWL = 5, 6	tCK(avg)	Reserved	Reserved	ns	4
		CWL = 7	tCK(avg)	1.5	<1.875	ns	1,2,3,8
	CL = 10	CWL = 5, 6	tCK(avg)	Reserved	Reserved	ns	4
		CWL = 7	tCK(avg)	1.5	<1.875	ns	1,2,3,8
		CWL = 8	tCK(avg)	Reserved	Reserved	ns	4
	CL = 11	CWL = 5, 6,7	tCK(avg)	Reserved	Reserved	ns	4
		CWL = 8	tCK(avg)	1.25	<1.5	ns	1,2,3,8
	CL = 12	CWL = 5, 6,7,8	tCK(avg)	Reserved	Reserved	ns	4
		CWL = 9	tCK(avg)	Reserved	Reserved	ns	4
CL = 13	CWL = 5, 6,7,8	tCK(avg)	Reserved	Reserved	ns	4	
	CWL = 9	tCK(avg)	1.07	<1.25	ns	1,2,3	
Supported CL setting			6, 7, 8, 9, 10,11,13		nCK		
Supported CWL setting			5, 6, 7, 8, 9		nCK		

Note:

1. The CL setting and CWL setting result in tCK(avg) Min and tCK(avg) Max requirements. When making a selection of tCK(avg), both need to be fulfilled: Requirements from CL setting as well as requirements from CWL setting.
2. tCK(avg) Min limits: Since CAS Latency is not purely analog - data and strobe output are synchronized by the DLL - all possible intermediate frequencies may not be guaranteed. An application should use the next smaller JEDEC standard tCK(avg) value (3.0, 2.5, 1.875, 1.5, or 1.25 ns) when calculating $CL [nCK] = tAA [ns] / tCK(avg) [ns]$, rounding up to the next "Supported CL".
3. tCK(avg) Max limits: Calculate $tCK(avg) = tAA Max / CL Selected$ and round the resulting tCK(avg) down to the next valid speed bin (i.e. 3.3ns or 2.5ns or 1.875 ns or 1.25 ns). This result is tCK(avg) Max corresponding to CL selected.
4. "Reserved" settings are not allowed. User must program a different value.
5. Any DDR3L-1066 speed bin also supports functional operation at lower frequencies as shown in the table which are not subject to production tests but verified by design/characterization.
6. Any DDR3L-1333 speed bin also supports functional operation at lower frequencies as shown in the table which are not subject to production tests but verified by design/characterization.
7. Any DDR3L-1600 speed bin also supports functional operation at lower frequencies as shown in the table which are not subject to production tests but verified by design/characterization.
8. Any DDR3L-1866 speed bin also supports functional operation at lower frequencies as shown in the table which are not subject to production tests but verified by design/characterization.
9. tREFI depends on operating case temperature (Tcase).
10. For devices supporting optional downshift to CL=7 and CL=9, tAA/tRCD/tRP min must be 13.125 ns or lower. SPD settings must be programmed to match. For example, DDR3L-1333H devices supporting downshift to DDR3L-1066F should program 13.125 ns in SPD bytes for tAAmin (Byte 16), tRCDmin (Byte 18), and tRPmin (Byte 20). DDR3L-1600K devices supporting downshift to DDR3L-1333H or DDR3L-1066F should program 13.125 ns in SPD bytes for tAAmin (Byte16), tRCDmin (Byte 18), and tRPmin (Byte 20). Once tRP (Byte 20) is programmed to 13.125ns, tRCmin (Byte 21,23) also should be programmed accordingly. For example, 49.125ns, (tRASmin + tRPmin = 36ns + 13.125ns) for DDR3L-1333H and 48.125ns (tRASmin + tRPmin = 35ns + 13.125ns) for DDR3L-1600K.
11. For devices supporting optional down binning to CL=11, CL=9 and CL=7, tAA/tRCD/tRPmin must be 13.125ns. SPD setting must be programmed to match. For example, DDR3L-1866M devices supporting down binning to DDR3L-1600K or DDR3L-1333H or 1066F should program 13.125ns in SPD bytes for tAAmin(byte16), tRCDmin(Byte18) and tRP-min (byte20). Once tRP (Byte20) is programmed to 13.125ns, tRCmin (Byte21,23) also should be programmed accordingly. For example, 47.125ns (tRASmin + tRPmin = 34ns + 13.125ns).

4.2 AC Timing Characteristics

Table 35 - AC Timing parameters

Parameter	Symbol	DDR3L-1066		DDR3L-1333		Unit	Note
		Min	Max	Min	Max		
Average clock cycle time	$t_{CK}(avg)$	Please refer Speed Bins				ps	
Minimum clock cycle time (DLL-off mode)	t_{CK} (DLL-off)	8	-	8	-	ns	6
Average CK high level width	$t_{CH}(avg)$	0.47	0.53	0.47	0.53	$t_{CK}(avg)$	
Average CK low level width	$t_{CL}(avg)$	0.47	0.53	0.47	0.53	$t_{CK}(avg)$	
Active Bank A to Active Bank B command period	t_{RRD}	max(4nCK, 7.5ns)	-	max(4nCK, 6ns)	-	ns	1KB e
		max(4nCK, 10ns)	-	max(4nCK, 7.5ns)	-	ns	2KB e
Four activate window(1KB)	t_{FAW}	37.5	-	30	-	ns	e
Four activate window(2KB)	t_{FAW}	50	-	45	-	ns	e
Address and Control input hold time (VIH/VIL (DC90) levels) SR=1V/ns	$t_{IH}(base)$ DC90	210	-	150	-	ps	16,b
Address and Control input setup time (VIH/VIL (AC160) levels) SR=1V/ns	$t_{IS}(base)$ AC160	140	-	80	-	ps	16,b
Address and Control input setup time (VIH/VIL (AC135) levels) SR=1V/ns	$t_{IS}(base)$ AC135	290	-	205	-	ps	16,b
DQ and DM input hold time (VIH/VIL (DC90) levels) SR=1V/ns	$t_{DH}(base)$ DC90	110	-	75	-	ps	17,d
DQ and DM input setup time (VIH/VIL (AC160) levels) SR=1V/ns	$t_{DS}(base)$ AC160	40	-	-	-	ps	17,d
DQ and DM input setup time (VIH/VIL (AC135) levels) SR=1V/ns	$t_{DS}(base)$ AC135	90	-	45	-	ps	17,d
Control and Address Input pulse width for each input	t_{IPW}	780	-	620	-	ps	25
DQ and DM Input pulse width for each input	t_{DIPW}	490	-	400	-	ps	25
DQ high impedance time	$t_{HZ}(DQ)$	-	300	-	250	ps	13,14,f
DQ low impedance time	$t_{LZ}(DQ)$	-600	300	-500	250	ps	13,14,f
DQS, DQS# high impedance time (RL + BL/2 reference)	$t_{HZ}(DQS)$	-	300	-	250	ps	13,14,f
DQS, DQS# low impedance time (RL - 1 reference)	$t_{LZ}(DQS)$	-600	300	-500	250	ps	13,14,f
DQS, DQS# to DQ Skew, per group, per access	t_{DQSQ}	-	150	-	125	ps	12,13
CAS# to CAS# command delay	t_{CCD}	4	-	4	-	nCK	
DQ output hold time from DQS, DQS#	t_{QH}	0.38	-	0.38	-	$t_{CK}(avg)$	12,13,g
DQS, DQS# rising edge output access time from rising CK, CK#	t_{DQSCK}	-300	300	-255	255	ps	12,13,f
DQS latching rising transitions to associated clock edges	t_{DQSS}	-0.25	0.25	-0.25	0.25	$t_{CK}(avg)$	c
DQS falling edge hold time from rising CK	t_{DSH}	0.2	-	0.2	-	$t_{CK}(avg)$	29,c

Parameter	Symbol	DDR3L-1066		DDR3L-1333		Unit	Note
		Min	Max	Min	Max		
DQS falling edge setup time to rising CK	t _{DSS}	0.2	-	0.2	-	t _{CK} (avg)	29,c
DQS input high pulse width	t _{DQSH}	0.45	0.55	0.45	0.55	t _{CK} (avg)	27,28
DQS input low pulse width	t _{DQSL}	0.45	0.55	0.45	0.55	t _{CK} (avg)	26,28
DQS output high time	t _{QSH}	0.38	-	0.40	-	t _{CK} (avg)	12,13,g
DQS output low time	t _{QSL}	0.38	-	0.40	-	t _{CK} (avg)	12,13,g
Mode register set command cycle time	t _{MRD}	4	-	4	-	nCK	
Mode register set command update delay	t _{MOD}	max(12nCK, 15ns)	-	max(12nCK, 15ns)	-	ns	
Read preamble time	t _{RPRE}	0.9	-	0.9	-	t _{CK} (avg)	13,19,g
Read postamble time	t _{RPST}	0.3	-	0.3	-	t _{CK} (avg)	11,13,g
Write preamble time	t _{WPRE}	0.9	-	0.9	-	t _{CK} (avg)	1
Write postamble time	t _{WPST}	0.3	-	0.3	-	t _{CK} (avg)	1
Write recovery time	t _{WR}	15	-	15	-	ns	18,e
Auto precharge write recovery + Precharge time	t _{DAL} (min)	WR + roundup [t _{RP} / t _{CK} (avg)]				nCK	
Multi-purpose register recovery time	t _{MRR}	1	-	1	-	nCK	22
Internal write to read command delay	t _{WTR}	max(4nCK, 7.5ns)	-	max(4nCK, 7.5ns)	-	ns	18,e
Internal read to precharge command delay	t _{RTP}	max(4nCK, 7.5ns)	-	max(4nCK, 7.5ns)	-	ns	e
Minimum CKE low width for Self-refresh entry to exit timing	t _{CKESR}	t _{CKE} (min) + 1nCK	-	t _{CKE} (min) + 1nCK	-		
Valid clock requirement after Self- refresh entry or Power-down entry	t _{CKSRE}	max(5nCK, 10 ns)	-	max(5nCK, 10 ns)	-	ns	
Valid clock requirement before Self-refresh exit or Power-down exit	t _{CKSRX}	max(5nCK, 10 ns)	-	max(5nCK, 10 ns)	-	ns	
Exit Self-refresh to commands not requiring a locked DLL	t _{XS}	max(5nCK, t _{RFC} (min) + 10ns)	-	max(5nCK, t _{RFC} (min) + 10ns)	-	ns	
Exit Self-refresh to commands requiring a locked DLL	t _{XSDLL}	t _{DLLK} (min)	-	t _{DLLK} (min)	-	nCK	
Auto-refresh to Active/Auto-refresh command time	t _{RFC}	160	-	160	-	ns	
Average Periodic Refresh Interval -40°C ≤ T _c ≤ +85°C	t _{REFI}	-	7.8	-	7.8	μs	
Average Periodic Refresh Interval +85°C < T _c ≤ +95°C	t _{REFI}	-	3.9	-	3.9	μs	
CKE minimum high and low pulse width	t _{CKE}	max(3nCK, 5.625ns)	-	max(3nCK, 5.625ns)	-	ns	

Parameter	Symbol	DDR3L-1066		DDR3L-1333		Unit	Note
		Min	Max	Min	Max		
Exit reset from CKE high to a valid command	t_{XPR}	max(5nCK, tRFC(min)+10ns)	-	max(5nCK, tRFC(min)+10ns)	-	ns	
DLL locking time	t_{DLLK}	512	-	512	-	nCK	
Power-down entry to exit time	t_{PD}	$t_{CKE}(min)$	$9 \cdot t_{REFI}$	$t_{CKE}(min)$	$9 \cdot t_{REFI}$		15
Exit precharge power-down with DLL frozen to commands requiring a locked DLL	t_{XPDLL}	max(10nCK, 24ns)	-	max(10nCK, 24ns)	-	ns	2
Exit power-down with DLL on to any valid command; Exit precharge power-down with DLL frozen to commands not requiring a locked DLL	t_{XP}	max(3nCK, 7.5ns)	-	max(3nCK, 6ns)	-	ns	
Command pass disable delay	t_{CPDED}	1	-	1	-	nCK	
Timing of ACT command to Power-down entry	$t_{ACTPDEN}$	1	-	1	-	nCK	20
Timing of PRE command to Power-down entry	t_{PRPDEN}	1	-	1	-	nCK	20
Timing of RD/RDA command to Power-down entry	t_{RDPDEN}	RL+4+1	-	RL+4+1	-	nCK	
Timing of WR command to Power-down entry (BL8OTF, BL8MRS, BL4OTF)	t_{WRPDEN}	WL + 4 + [tWR/tCK(avg)]	-	WL + 4 + [tWR/tCK(avg)]	-	nCK	9
Timing of WR command to Power-down entry (BC4MRS)	t_{WRPDEN}	WL + 2 + [tWR/tCK(avg)]	-	WL + 2 + [tWR/tCK(avg)]	-	nCK	9
Timing of WRA command to Power-down entry (BL8OTF, BL8MRS, BL4OTF)	$t_{WRAPDEN}$	WL+4+WR+1	-	WL+4+WR+1	-	nCK	10
Timing of WRA command to Power-down entry (BC4MRS)	$t_{WRAPDEN}$	WL+2+WR+1	-	WL+2+WR+1	-	nCK	10
Timing of REF command to Power-down entry	$t_{REFPDEN}$	1	-	1	-	nCK	20,21
Timing of MRS command to Power-down entry	$t_{MRSPDEN}$	$t_{MOD}(min)$	-	$t_{MOD}(min)$	-		
RTT turn-on	t_{AON}	-300	300	-250	250	ps	7,f
Asynchronous RTT turn-on delay (Power-down with DLL frozen)	t_{AONPD}	2	8.5	2	8.5	ns	
RTT_Nom and RTT_WR turn-off time from ODTLoff reference	t_{AOF}	0.3	0.7	0.3	0.7	tCK(avg)	8,f
Asynchronous RTT turn-off delay (Power-down with DLL frozen)	t_{AOFPD}	2	8.5	2	8.5	ns	
ODT high time without write command or with write command and BC4	ODTH4	4	-	4	-	nCK	
ODT high time with Write command and BL8	ODTH8	6	-	6	-	nCK	
RTT dynamic change skew	t_{ADC}	0.3	0.7	0.3	0.7	tCK(avg)	f

Parameter	Symbol	DDR3L-1066		DDR3L-1333		Unit	Note
		Min	Max	Min	Max		
Power-up and reset calibration time	t _{ZQinit}	max(512nCK, 640ns)	-	max(512nCK, 640ns)	-	ns	
Normal operation full calibration time	t _{ZQoper}	max(256nCK, 320ns)	-	max(256nCK, 320ns)	-	nCK	
Normal operation short calibration time	t _{ZQCS}	max(64nCK, 80ns)	-	max(64nCK, 80ns)	-	nCK	23
First DQS pulse rising edge after write leveling mode is programmed	t _{WLMRD}	40	-	40	-	nCK	3
DQS, DQS# delay after write leveling mode is programmed	t _{WLDQSEN}	25	-	25	-	nCK	3
Write leveling setup time from rising CK, CK# crossing to rising DQS, DQS# crossing	t _{WLS}	245	-	195	-	ps	
Write leveling hold time from rising DQS, DQS# crossing to rising CK, CK# crossing	t _{WLH}	245	-	195	-	ps	
Write leveling output delay	t _{WLO}	0	9	0	9	ns	
Write leveling output error	t _{WLOE}	0	2	0	2	ns	
Absolute clock period	t _{CK(abs)}	t _{CK(avg)min} + t _{JIT(per)min}	t _{CK(avg)max} + t _{JIT(per)max}	t _{CK(avg)min} + t _{JIT(per)min}	t _{CK(avg)max} + t _{JIT(per)max}	ps	
Absolute clock high pulse width	t _{CH(abs)}	0.43	-	0.43	-	t _{CK(avg)}	30
Absolute clock low pulse width	t _{CL(abs)}	0.43	-	0.43	-	t _{CK(avg)}	31
Clock period jitter	t _{JIT(per)}	-90	90	-80	80	ps	
Clock period jitter during DLL locking period	t _{JIT(per,lck)}	-80	80	-70	70	ps	
Cycle to cycle period jitter	t _{JIT(cc)}	-	180	-	160	ps	
Cycle to cycle period jitter during DLL locking period	t _{JIT(cc,lck)}	-	160	-	140	ps	
Cumulative error across 2 cycles	t _{ERR(2per)}	-132	132	-118	118	ps	
Cumulative error across 3 cycles	t _{ERR(3per)}	-157	157	-140	140	ps	
Cumulative error across 4 cycles	t _{ERR(4per)}	-175	175	-155	155	ps	
Cumulative error across 5 cycles	t _{ERR(5per)}	-188	188	-168	168	ps	
Cumulative error across 6 cycles	t _{ERR(6per)}	-200	200	-177	177	ps	
Cumulative error across 7 cycles	t _{ERR(7per)}	-209	209	-186	186	ps	
Cumulative error across 8 cycles	t _{ERR(8per)}	-217	217	-193	193	ps	
Cumulative error across 9 cycles	t _{ERR(9per)}	-224	224	-200	200	ps	
Cumulative error across 10 cycles	t _{ERR(10per)}	-231	231	-205	205	ps	
Cumulative error across 11 cycles	t _{ERR(11per)}	-237	237	-210	210	ps	
Cumulative error across 12 cycles	t _{ERR(12per)}	-242	242	-215	215	ps	
Cumulative error across n = 13,14,...49,50 cycles	t _{ERR(nper)}	$t_{ERR(nper)min} = (1 + 0.68\ln(n)) * t_{JIT(per)min}$ $t_{ERR(nper)max} = (1 + 0.68\ln(n)) * t_{JIT(per)max}$				ps	32

Parameter	Symbol	DDR3L-1600		DDR3L-1866		Unit	Note
		Min	Max	Min	Max		
Average clock cycle time	$t_{CK(avg)}$	Please refer Speed Bins				ps	
Minimum clock cycle time (DLL-off mode)	t_{CK} (DLL-off)	8	-	8	-	ns	6
Average CK high level width	$t_{CH(avg)}$	0.47	0.53	0.47	0.53	$t_{CK(avg)}$	
Average CK low level width	$t_{CL(avg)}$	0.47	0.53	0.47	0.53	$t_{CK(avg)}$	
Active Bank A to Active Bank B command period	t_{RRD}	max(4nCK, 6ns)	-	max(4nCK, 5ns)	-	ns	1KB e
		max(4nCK, 7.5ns)	-	max(4nCK, 6ns)	-	ns	2KB e
Four activate window(1KB)	t_{FAW}	30	-	27	-	ns	e
Four activate window(2KB)	t_{FAW}	40	-	35	-	ns	e
Address and Control input hold time (VIH/VIL (DC90) levels) SR=1V/ns	t_{IH} (base) DC90	130	-	110	-	ps	16,b
Address and Control input setup time (VIH/VIL (AC160) levels) SR=1V/ns	t_{IS} (base) AC160	60	-	-	-	ps	16,b
Address and Control input setup time (VIH/VIL (AC135) levels) SR=1V/ns	t_{IS} (base) AC135	185	-	65	-	ps	16,b
Address and Control input setup time (VIH/VIL (AC125) levels) SR=1V/ns	t_{IS} (base) AC125	-	-	150	-	ps	16,b
DQ and DM input hold time (VIH/VIL (DC90) levels) SR=1V/ns	t_{DH} (base) DC90	55	-	-	-	ps	17,d
DQ and DM input hold time (VIH/VIL (DC90) levels) SR=2V/ns	t_{DH} (base) DC90	-	-	75	-	ps	d
DQ and DM input setup time (VIH/VIL (AC135) levels) SR=1V/ns	t_{DS} (base) AC135	25	-	-	-	ps	17,d
DQ and DM input setup time (VIH/VIL (AC130) levels) SR=2V/ns	t_{DS} (base) AC130	-	-	70	-	ps	d
Control and Address Input pulse width for each input	t_{IPW}	560	-	535	-	ps	25
DQ and DM Input pulse width for each input	t_{DIPW}	360	-	320	-	ps	25
DQ high impedance time	$t_{HZ}(DQ)$	-	225	-	195	ps	13,14,f
DQ low impedance time	$t_{LZ}(DQ)$	-450	225	-390	195	ps	13,14,f
DQS, DQS# high impedance time (RL + BL/2 reference)	$t_{HZ}(DQS)$	-	225	-	95	ps	13,14,f
DQS, DQS# low impedance time (RL - 1 reference)	$t_{LZ}(DQS)$	-450	225	-390	195	ps	13,14,f
DQS, DQS# to DQ Skew, per group, per access	t_{DQSQ}	-	100	-	85	ps	12,13
CAS# to CAS# command delay	t_{CCD}	4	-	4	-	nCK	
DQ output hold time from DQS, DQS#	t_{QH}	0.38	-	0.38	-	$t_{CK(avg)}$	12,13,g
DQS, DQS# rising edge output access time from rising CK, CK#	t_{DQsck}	-225	225	-195	195	ps	12,13,f
DQS latching rising transitions to associated clock edges	t_{DQSS}	-0.27	0.27	-0.27	0.27	$t_{CK(avg)}$	c
DQS falling edge hold time from rising CK	t_{DSH}	0.18	-	0.18	-	$t_{CK(avg)}$	29,c
DQS falling edge setup time to rising CK	t_{DSS}	0.18	-	0.18	-	$t_{CK(avg)}$	29,c

Parameter	Symbol	DDR3L-1600		DDR3L-1866		Unit	Note
		Min	Max	Min	Max		
DQS input high pulse width	t _{DQSH}	0.45	0.55	0.45	0.55	t _{CK} (avg)	27,28
DQS input low pulse width	t _{DQSL}	0.45	0.55	0.45	0.55	t _{CK} (avg)	26,28
DQS output high time	t _{QSH}	0.40	-	0.40	-	t _{CK} (avg)	12,13,g
DQS output low time	t _{QSL}	0.40	-	0.40	-	t _{CK} (avg)	12,13,g
Mode register set command cycle time	t _{MRD}	4	-	4	-	nCK	
Mode register set command update delay	t _{MOD}	max(12nK, 15ns)	-	max(12nK, 15ns)	-	ns	
Read preamble time	t _{RPRE}	0.9	-	0.9	-	t _{CK} (avg)	13,19,g
Read postamble time	t _{RPST}	0.3	-	0.3	-	t _{CK} (avg)	11,13,g
Write preamble time	t _{WPRE}	0.9	-	0.9	-	t _{CK} (avg)	1
Write postamble time	t _{WPST}	0.3	-	0.3	-	t _{CK} (avg)	1
Write recovery time	t _{WR}	15	-	15	-	ns	18,e
Auto precharge write recovery + Precharge time	t _{DAL} (min)	WR + roundup [t _{RP} / t _{CK} (avg)]				nCK	
Multi-purpose register recovery time	t _{MRR}	1	-	1	-	nCK	22
Internal write to read command delay	t _{WTR}	max(4nCK, 7.5ns)	-	max(4nCK, 7.5ns)	-	ns	18,e
Internal read to precharge command delay	t _{RTP}	max(4nCK, 7.5ns)	-	max(4nCK, 7.5ns)	-	ns	e
Minimum CKE low width for Self-refresh entry to exit timing	t _{CKESR}	t _{CKE} (min) + 1nCK	-	t _{CKE} (min) + 1nCK	-		
Valid clock requirement after Self-refresh entry or Power-down entry	t _{CKSRE}	max(5nCK, 10 ns)	-	max(5nCK, 10 ns)	-	ns	
Valid clock requirement before Self-refresh exit or Power-down exit	t _{CKSRX}	max(5nCK, 10 ns)	-	max(5nCK, 10 ns)	-	ns	
Exit Self-refresh to commands not requiring a locked DLL	t _{XS}	max(5nCK, t _{RFC} (min)+ 10ns)	-	max(5nCK, t _{RFC} (min)+ 10ns)	-	ns	
Exit Self-refresh to commands requiring a locked DLL	t _{XSDLL}	t _{DLLK} (min)	-	t _{DLLK} (min)	-	nCK	
Auto-refresh to Active/Auto-refresh command time	t _{RFC}	160	-	160	-	ns	
Average Periodic Refresh Interval -40°C ≤ T _c ≤ +85°C	t _{REFI}	-	7.8	-	7.8	μs	
Average Periodic Refresh Interval +85°C < T _c ≤ +95°C	t _{REFI}	-	3.9	-	3.9	μs	
CKE minimum high and low pulse width	t _{CKE}	max(3nCK, 5ns)	-	max(3nCK, 5ns)	-	ns	
Exit reset from CKE high to a valid command	t _{XPR}	max(5nCK, t _{RFC} (min)+ 10ns)	-	max(5nCK, t _{RFC} (min)+ 10ns)	-	ns	
DLL locking time	t _{DLLK}	512	-	512	-	nCK	

Parameter	Symbol	DDR3L-1600		DDR3L-1866		Unit	Note
		Min	Max	Min	Max		
Power-down entry to exit time	t _{PD}	t _{CKE} (min)	9*t _{REFI}	t _{CKE} (min)	9*t _{REFI}		15
Exit precharge power-down with DLL frozen to commands requiring a locked DLL	t _{XPDLL}	max(10nCK, 24ns)	-	max(10nCK, 24ns)	-	ns	2
Exit power-down with DLL on to any valid command; Exit precharge power-down with DLL frozen to commands not requiring a locked DLL	t _{XP}	max(3nCK, 6ns)	-	max(3nCK, 6ns)	-	ns	
Command pass disable delay	t _{CPDED}	1	-	2	-	nCK	
Timing of ACT command to Power-down entry	t _{ACTPDEN}	1	-	1	-	nCK	20
Timing of PRE command to Power-down entry	t _{PRPDEN}	1	-	1	-	nCK	20
Timing of RD/RDA command to Power-down entry	t _{RDPDEN}	RL+4+1	-	RL+4+1	-	nCK	
Timing of WR command to Power-down entry (BL8OTF, BL8MRS, BL4OTF)	t _{WRPDEN}	WL + 4 + [t _{WR} /t _{CK} (avg)]	-	WL + 4 + [t _{WR} /t _{CK} (avg)]	-	nCK	9
Timing of WR command to Power-down entry (BC4MRS)	t _{WRPDEN}	WL + 2 + [t _{WR} /t _{CK} (avg)]	-	WL + 2 + [t _{WR} /t _{CK} (avg)]	-	nCK	9
Timing of WRA command to Power-down entry (BL8OTF, BL8MRS, BL4OTF)	t _{WRAPDEN}	WL+4+WR+1	-	WL+4+WR+1	-	nCK	10
Timing of WRA command to Power-down entry (BC4MRS)	t _{WRAPDEN}	WL+2+WR+1	-	WL+2+WR+1	-	nCK	10
Timing of REF command to Power-down entry	t _{REFPDEN}	1	-	1	-	nCK	20,21
Timing of MRS command to Power-down entry	t _{MRSPDEN}	t _{MOD} (min)	-	t _{MOD} (min)	-		
RTT turn-on	t _{AON}	-225	225	-195	195	ps	7,f
Asynchronous RTT turn-on delay (Power-down with DLL frozen)	t _{AONPD}	2	8.5	2	8.5	ns	
RTT_Nom and RTT_WR turn-off time from ODTLoff reference	t _{AOFF}	0.3	0.7	0.3	0.7	t _{CK} (avg)	8,f
Asynchronous RTT turn-off delay (Power-down with DLL frozen)	t _{AOFFPD}	2	8.5	2	8.5	ns	
ODT high time without write command or with write command and BC4	ODTH4	4	-	4	-	nCK	
ODT high time with Write command and BL8	ODTH8	6	-	6	-	nCK	
RTT dynamic change skew	t _{ADC}	0.3	0.7	0.3	0.7	t _{CK} (avg)	f
Power-up and reset calibration time	t _{ZQinit}	max(512nCK, 640ns)	-	max(512nCK, 640ns)	-	nCK	
Normal operation full calibration time	t _{ZQoper}	max(256nCK, 320ns)	-	max(256nCK, 320ns)	-	nCK	
Normal operation short calibration time	t _{ZQCS}	max(64nCK, 80ns)	-	max(64nCK, 80ns)	-	nCK	23
First DQS pulse rising edge after write leveling mode is programmed	t _{WLMRD}	40	-	40	-	nCK	3

Parameter	Symbol	DDR3L-1600		DDR3L-1866		Unit	Note
		Min	Max	Min	Max		
DQS, DQS# delay after write leveling mode is programmed	t _{WLDQSEN}	25	-	25	-	nCK	3
Write leveling setup time from rising CK, CK# crossing to rising DQS, DQS# crossing	t _{WLS}	165	-	140	-	ps	
Write leveling hold time from rising DQS, DQS# crossing to rising CK, CK# crossing	t _{WLH}	165	-	140	-	ps	
Write leveling output delay	t _{WLO}	0	7.5	0	7.5	ns	
Write leveling output error	t _{WLOE}	0	2	0	2	ns	
Absolute clock period	t _{CK(abs)}	t _{CK(avg)min} + t _{JIT(per)min}	t _{CK(avg)max} + t _{JIT(per)max}	t _{CK(avg)min} + t _{JIT(per)min}	t _{CK(avg)max} + t _{JIT(per)max}	ps	
Absolute clock high pulse width	t _{CH(abs)}	0.43	-	0.43	-	t _{CK(avg)}	30
Absolute clock low pulse width	t _{CL(abs)}	0.43	-	0.43	-	t _{CK(avg)}	31
Clock period jitter	t _{JIT(per)}	-70	70	-60	60	ps	
Clock period jitter during DLL locking period	t _{JIT(per,lck)}	-60	60	-50	50	ps	
Cycle to cycle period jitter	t _{JIT(cc)}	-	140	-	120	ps	
Cycle to cycle period jitter during DLL locking period	t _{JIT(cc,lck)}	-	120	-	100	ps	
Cumulative error across 2 cycles	t _{ERR(2per)}	-103	103	-88	88	ps	
Cumulative error across 3 cycles	t _{ERR(3per)}	-122	122	-105	105	ps	
Cumulative error across 4 cycles	t _{ERR(4per)}	-136	136	-117	117	ps	
Cumulative error across 5 cycles	t _{ERR(5per)}	-147	147	-126	126	ps	
Cumulative error across 6 cycles	t _{ERR(6per)}	-155	155	-133	133	ps	
Cumulative error across 7 cycles	t _{ERR(7per)}	-163	163	-139	139	ps	
Cumulative error across 8 cycles	t _{ERR(8per)}	-169	169	-145	145	ps	
Cumulative error across 9 cycles	t _{ERR(9per)}	-175	175	-150	150	ps	
Cumulative error across 10 cycles	t _{ERR(10per)}	-180	180	-154	154	ps	
Cumulative error across 11 cycles	t _{ERR(11per)}	-184	184	-158	158	ps	
Cumulative error across 12 cycles	t _{ERR(12per)}	-188	188	-161	161	ps	
Cumulative error across n = 13,14,...49,50 cycles	t _{ERR(nper)}	$t_{ERR(nper)min} = (1 + 0.68\ln(n)) * t_{JIT(per)min}$ $t_{ERR(nper)max} = (1 + 0.68\ln(n)) * t_{JIT(per)max}$				ps	32

Notes for AC Electrical Characteristics

Jitter Notes

Specific Note a: Unit 'tCK(avg)' represents the actual tCK(avg) of the input clock under operation. Unit 'nCK' represents one clock cycle of the input clock, counting the actual clock edges. $tMRD = 4[nCK]$ means; if one Mode Register Set command is registered at T_m , another Mode Register Set command may be registered at T_m+4 , even if $(T_m+4 - T_m)$ is $4 \times tCK(avg) + tERR(4per),min$.

Specific Note b: These parameters are measured from a command/address signal (CKE, CS#, RAS#, CAS#, WE#, ODT, BA0, A0, A1, etc.) transition edge to its respective clock signal (CK/CK#) crossing. The spec values are not affected by the amount of clock jitter applied (i.e. tJIT(per), tJIT(cc), etc.), as the setup and hold are relative to the clock signal crossing that latches the command/address. That is, these parameters should be met whether clock jitter is present or not.

Specific Note c: These parameters are measured from a data strobe signal (DQS(L/U), DQS(L/U)#) crossing to its respective clock signal (CK, CK#) crossing. The spec values are not affected by the amount of clock jitter applied (i.e. tJIT(per), tJIT(cc), etc.), as these are relative to the clock signal crossing. That is, these parameters should be met whether clock jitter is present or not.

Specific Note d: These parameters are measured from a data signal (DM(L/U), DQ(L/U)0, DQ(L/U)1, etc.) transition edge to its respective data strobe signal (DQS(L/U), DQS(L/U)#) crossing.

Specific Note e: For these parameters, the DDR3L SDRAM device supports $t_nPARAM [nCK] = RU\{ tPARAM [ns] / tCK(avg) [ns] \}$, which is in clock cycles, assuming all input clock jitter specifications are satisfied. For example, the device will support $t_nRP = RU\{ tRP / tCK(avg) \}$, which is in clock cycles, if all input clock jitter specifications are met. This means: For DDR3L-800 6-6-6, of which $tRP = 15ns$, the device will support $t_nRP = RU\{ tRP / tCK(avg) \} = 6$, as long as the input clock jitter specifications are met, i.e. Precharge command at T_m and Active command at T_m+6 is valid even if $(T_m+6 - T_m)$ is less than 15ns due to input clock jitter.

Specific Note f: When the device is operated with input clock jitter, this parameter needs to be derated by the actual $tERR(mper),act$ of the input clock, where $2 \leq m \leq 12$. (output deratings are relative to the SDRAM input clock.) For example, if the measured jitter into a DDR3L-800 SDRAM has $tERR(mper),act,min = -172 ps$ and $tERR(mper),act,max = +193 ps$, then $tDQSCK,min(derated) = tDQSCK,min - tERR(mper),act,max = -400 ps - 193 ps = -593 ps$ and $tDQSCK,max(derated) = tDQSCK,max - tERR(mper),act,min = 400 ps + 172 ps = +572 ps$. Similarly, $tLZ(DQ)$ for DDR3L-800 derates to $tLZ(DQ),min(derated) = -800 ps - 193 ps = -993 ps$ and $tLZ(DQ),max(derated) = 400 ps + 172 ps = +572 ps$. (Caution on the min/max usage!) Note that $tERR(mper),act,min$ is the minimum measured value of $tERR(nper)$ where $2 \leq n \leq 12$, and $tERR(mper),act,max$ is the maximum measured value of $tERR(nper)$ where $2 \leq n \leq 12$.

Specific Note g: When the device is operated with input clock jitter, this parameter needs to be derated by the actual $tJIT(per),act$ of the input clock. (output deratings are relative to the SDRAM input clock.) For example, if the measured jitter into a DDR3L-800 SDRAM has $tCK(avg),act = 2500 ps$, $tJIT(per),act,min = -72 ps$ and $tJIT(per),act,max = +93 ps$, then $tRPRE,min(derated) = tRPRE,min + tJIT(per),act,min = 0.9 \times tCK(avg),act + tJIT(per),act,min = 0.9 \times 2500 ps - 72 ps = +2178 ps$. Similarly, $tQH,min(derated) = tQH,min + tJIT(per),act,min = 0.38 \times tCK(avg),act + tJIT(per),act,min = 0.38 \times 2500 ps - 72 ps = +878 ps$. (Caution on the min/max usage!)

NOTE:

1. Actual value dependent upon measurement level definitions.
2. Commands requiring a locked DLL are: READ (and READA) and synchronous ODT commands.
3. The max values are system dependent.
4. WR as programmed in mode register.
5. Value must be rounded-up to next higher integer value.
6. There is no maximum cycle time limit besides the need to satisfy the refresh interval, tREFI.
7. ODT turn on time (min.) is when the device leaves high impedance and ODT resistance begins to turn on. ODT turn on time (max.) is when the ODT resistance is fully on. Both are measured from ODTLon.
8. ODT turn-off time (min.) is when the device starts to turn-off ODT resistance. ODT turn-off time (max.) is when the bus is in high impedance. Both are measured from ODTLoff.
9. tWR is defined in ns, for calculation of tWRPDEN it is necessary to round up tWR / tCK to the next integer.

10. WR in clock cycles as programmed in MR0.
11. The maximum read postamble is bound by tDQSCK(min) plus tQSH(min) on the left side and tHZ(DQS)max on the right side.
12. Output timing deratings are relative to the SDRAM input clock. When the device is operated with input clock jitter, this parameter needs to be derated by TBD.
13. Value is only valid for RON34.
14. Single ended signal parameter. Refer to the section of tLZ(DQS), tLZ(DQ), tHZ(DQS), tHZ(DQ) Notes for definition and measurement method.
15. tREFI depends on operating case temperature (Tc)..
16. tIS(base) and tIH(base) values are for 1V/ns command/address single-ended slew rate and 2V/ns CK, CK# differential slew rate, Note for DQ and DM signals, VREF(DC) = VREFDQ(DC). For input only pins except RESET#, VREF(DC) = VREFCA(DC). See Address / Command Setup, Hold and Derating section.
17. tDS(base) and tDH(base) values are for 1V/ns DQ single-ended slew rate and 2V/ns DQS, DQS# differential slew rate. Note for DQ and DM signals, VREF(DC)= VREFDQ(DC). For input only pins except RESET, VREF(DC) = VREFCA(DC). See Data Setup, Hold and and Slew Rate Derating section.
18. Start of internal write transaction is defined as follows ;
For BL8 (fixed by MRS and on-the-fly) : Rising clock edge 4 clock cycles after WL. For BC4 (on-the-fly) : Rising clock edge 4 clock cycles after WL.
For BC4 (fixed by MRS) : Rising clock edge 2 clock cycles after WL.
19. The maximum read preamble is bound by tLZDQS(min) on the left side and tDQSCK(max) on the right side.
20. CKE is allowed to be registered low while operations such as row activation, precharge, autoprecharge or refresh are in progress, but power-down IDD spec will not be applied until finishing those operation.
21. Although CKE is allowed to be registered LOW after a REFRESH command once tREFPDEN(min) is satisfied, there are cases where additional time such as tXPDLL(min) is also required.
22. Defined between end of MPR read burst and MRS which reloads MPR or disables MPR function.
23. One ZQCS command can effectively correct a minimum of 0.5 % (ZQCorrection) of RON and RTT impedance error within 64 nCK for all speed bins assuming the maximum sensitivities specified in the "Output Driver Voltage and Temperature Sensitivity" and "ODT Voltage and Temperature Sensitivity" tables. The appropriate interval between ZQCS commands can be determined from these tables and other application specific parameters.

One method for calculating the interval between ZQCS commands, given the temperature (Tdriftrate) and voltage (Vdriftrate) drift rates that the SDRAM is subject to in the application, is illustrated. The interval could be defined by the following formula:
$$\frac{ZQCorrection}{(TSens \times Tdriftrate) + (VSens \times Vdriftrate)}$$
where TSens = max(dRTTdT, dRONdTM) and VSens = max(dRTTdV, dRONdVM) define the SDRAM temperature and voltage sensitivities.
24. The tIS(base) AC150 specifications are adjusted from the tIS(base) specification by adding an additional 100 ps of derating to accommodate for the lower alternate threshold of 150 mV and another 25 ps to account for the earlier reference point [(175 mV - 150 mV) / 1 V/ns].
25. Pulse width of a input signal is defined as the width between the first crossing of VREF(DC) and the consecutive crossing of VREF(DC).
26. tDQSL describes the instantaneous differential input low pulse width on DQS - DQS#, as measured from one falling edge to the next consecutive rising edge.
27. tDQSH describes the instantaneous differential input high pulse width on DQS - DQS#, as measured from one rising edge to the next consecutive falling edge.
28. tDQSH,act + tDQSL,act = 1 tCK,act ; with tXYZ,act being the actual measured value of the respective timing parameter in the

application.

29. $t_{DSH,act} + t_{DSS,act} = 1 t_{CK,act}$; with $t_{XYZ,act}$ being the actual measured value of the respective timing parameter in the application.
30. $t_{CH(abs)}$ is the absolute instantaneous clock high pulse width, as measured from one rising edge to the following falling edge.
31. $t_{CL(abs)}$ is the absolute instantaneous clock low pulse width, as measured from one falling edge to the following rising edge.
32. $n =$ from 13 cycles to 50 cycles. This row defines 38 parameters.

4.3 IDD Specification

Table 36 - IDD Specification

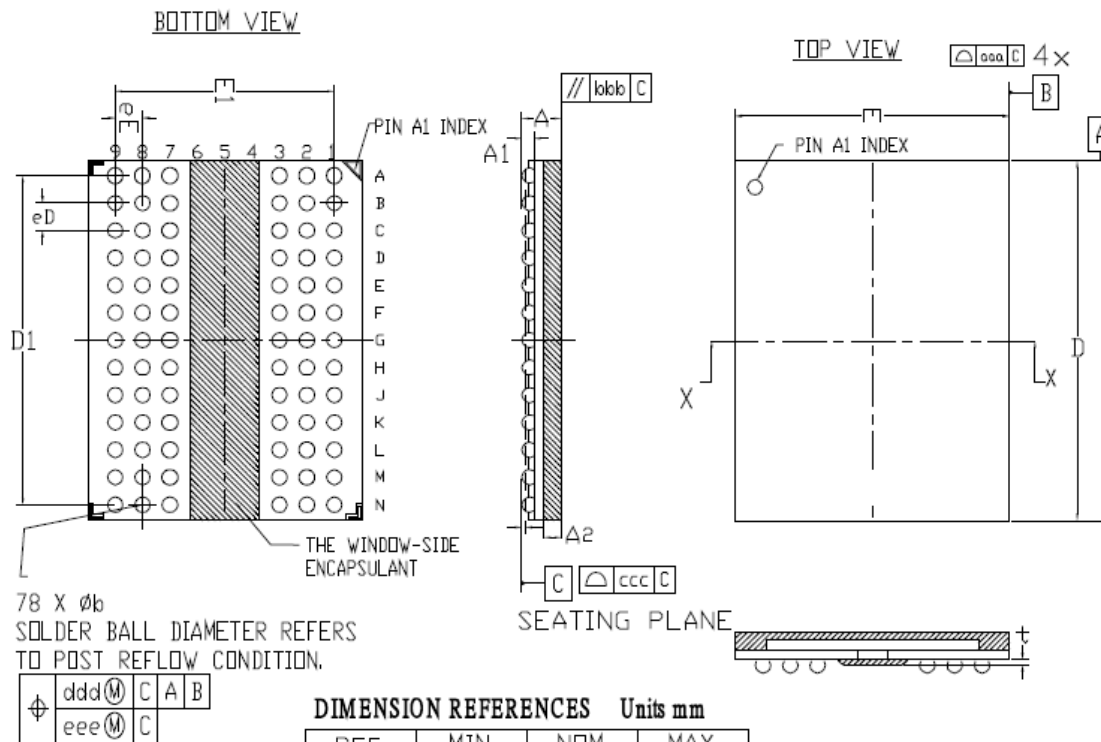
Conditions	Symbol	Data rate (Mbps)	IDD max. (x4)		IDD max. (x8)		IDD max. (X16)		Unit
			95°C	105°C	95°C	105°C	95°C	105°C	
Operating One Bank Active-Precharge Current; CKE: High; External clock: On; tCK, nRC, nRAS, CL: see timing used table; BL: 8; AL: 0; CS#: High between ACT and PRE; Command, Address: partially toggling; Data IO: FLOATING; DM:stable at 0; Bank Activity: Cycling with one bank active at a time; Output Buffer and RTT: Enabled in Mode Registers; ODT Signal: stable at 0	IDD0	1066	54	54	54	54	67	67	mA
1333		58	58	58	58	70	70		
1600		62	62	62	62	75	75		
1866		66	66	66	66	79	79		
Operating One Bank Active-Read-Precharge Current; CKE: High; External clock: On; tCK, nRC, nRAS, nRCD, CL: see timing used table; BL: 8; AL: 0; CS#: High between ACT, RD and PRE; Command, Address, Data IO: partially toggling; DM:stable at 0; Bank Activity: Cycling with one bank active at a time; Output Buffer and RTT: Enabled in Mode Registers; ODT Signal: stable at 0	IDD1	1066	60	60	66	66	88	88	mA
1333		63	63	69	69	90	90		
1600		69	69	75	75	96	96		
1866		73	73	79	79	101	101		
Precharge Power-Down Current Slow Exit; CKE: Low; External clock: On; tCK, CL: see timing used table; BL: 8; AL: 0; CS#: stable at 1; Command, Address: stable at 0; Data IO: FLOATING; DM: stable at 0; Bank Activity: all banks closed; Output Buffer and RTT: Enabled in Mode Registers; ODT Signal: stable at 0; Precharge Power Down Mode: Slow Exit	IDD2P0	1066	12	12	12	12	12	12	mA
1333		12	12	12	12	12	12		
1600		12	12	12	12	12	12		
1866		12	12	12	12	12	12		
Precharge Power-Down Current Fast Exit; CKE: Low; External clock: On; tCK, CL: see timing used table; BL: 8; AL: 0; CS#: stable at 1; Command, Address: stable at 0; Data IO: FLOATING; DM:stable at 0; Bank Activity: all banks closed; Output Buffer and RTT: Enabled in Mode Registers; ODT Signal: stable at 0; Precharge Power Down Mode: Fast Exit	IDD2P1	1066	12	12	12	12	12	12	mA
1333		12	12	12	12	12	12		
1600		12	12	12	12	12	12		
1866		12	12	12	12	12	12		
Precharge Standby Current; CKE: High; External clock: On; tCK, CL: see timing used table; BL: 8; AL: 0; CS#: stable at 1; Command, Address: partially toggling; Data IO: FLOATING; DM:stable at 0; Bank Activity: all banks closed; Output Buffer and RTT: Enabled in Mode Registers; ODT Signal: stable at 0	IDD2N	1066	36	36	36	36	38	38	mA
1333		38	38	38	38	41	41		
1600		43	43	43	43	45	45		
1866		47	47	47	47	49	49		
Precharge Standby ODT Current; CKE: High; External clock: On; tCK, CL: see timing used table; BL: 8; AL: 0; CS#: stable at 1; Command, Address: partially toggling; Data IO: FLOATING; DM:stable at 0; Bank Activity: all banks closed; Output Buffer and RTT: Enabled in Mode Registers; ODT Signal: toggling	IDD2NT	1066	38	38	38	38	72	72	mA
1333		42	42	42	42	76	76		
1600		46	46	46	46	80	80		
1866		50	50	50	50	85	85		
Precharge Quiet Standby Current; CKE: High; External clock: On; tCK, CL: see timing used table; BL: 8; AL: 0; CS#: stable at 1; Command, Address: stable at 0; Data IO: FLOATING; DM: stable at 0; Bank Activity: all banks closed; Output Buffer and RTT: Enabled in Mode Registers; ODT Signal: stable at 0	IDD2Q	1066	35	35	35	35	38	38	mA
1333		37	37	37	37	41	41		
1600		42	42	42	42	45	45		
1866		45	45	45	45	48	48		
Active Power-Down Current; CKE: Low; External clock: On; tCK, CL: see timing used table; BL: 8; AL: 0; CS#: stable at 1; Command, Address: stable at 0; Data IO: FLOATING; DM: stable at 0; Bank Activity: all banks open; Output Buffer and RTT: Enabled in Mode Registers; ODT Signal: stable at 0	IDD3P	1066	14	14	14	14	20	20	mA
1333		14	14	14	14	20	20		
1600		14	14	14	14	20	20		
1866		14	14	14	14	20	20		

Conditions	Symbol	Data rate (Mbps)	IDD max. (x4)		IDD max. (x8)		IDD max. (x16)		Unit
			95°C	105°C	95°C	105°C	95°C	105°C	
Active Standby Current; CKE: High; External clock: On; tCK, CL: see timing used table; BL: 8; AL: 0; CS#: stable at 1; Command, Address: partially toggling; Data IO: FLOATING; DM: stable at 0; Bank Activity: all banks open; Output Buffer and RTT: Enabled in Mode Registers; ODT Signal: stable at 0	IDD3N	1066	41	41	41	41	45	45	mA
1333		44	44	44	44	48	48		
1600		48	48	48	48	52	52		
1866		51	51	51	51	55	55		
Operating Burst Read Current; CKE: High; External clock: On; tCK, CL: see timing used table; BL: 8; AL: 0; CS#: High between RD; Command, Address: partially toggling; Data IO: seamless read data burst with different data between one burst and the next one; DM: stable at 0; Bank Activity: all banks open, RD commands cycling through banks: 0,0,1,1,2,2,...; Output Buffer and RTT: Enabled in Mode Registers; ODT Signal: stable at 0	IDD4R	1066	83	84	90	91	141	142	mA
1333		103	104	110	111	160	161		
1600		114	115	121	122	188	189		
1866		126	127	133	134	208	209		
Operating Burst Write Current; CKE: High; External clock: On; tCK, CL: see timing used table; BL: 8; AL: 0; CS#: High between WR; Command, Address: partially toggling; Data IO: seamless write data burst with different data between one burst and the next one; DM: stable at 0; Bank Activity: all banks open, WR commands cycling through banks: 0,0,1,1,2,2,...; Output Buffer and RTT: Enabled in Mode Registers; ODT Signal: stable at HIGH	IDD4W	1066	82	83	92	93	140	141	mA
1333		100	101	110	111	160	161		
1600		119	120	129	130	189	190		
1866		126	127	136	137	202	203		
Burst Refresh Current; CKE: High; External clock: On; tCK, CL, nRFC: see timing used table; BL: 8; AL: 0; CS#: High between REF; Command, Address: partially toggling; Data IO: FLOATING; DM: stable at 0; Bank Activity: REF command every nRFC; Output Buffer and RTT: Enabled in Mode Registers; ODT Signal: stable at 0	IDD5B	1066	257	257	257	257	257	257	mA
1333		260	260	260	260	260	260		
1600		262	262	262	262	262	262		
1866		263	263	263	263	263	263		
Self Refresh Current: Normal Temperature Range; TCASE: 0- 85°C; Auto Self-Refresh (ASR): Disabled; Self-Refresh Temperature Range (SRT): Normal; CKE: Low; External clock: Off; CK and CK#: LOW; CL: see timing used table; BL: 8; AL: 0; CS#, Command, Address, Data IO: FLOATING; DM: stable at 0; Bank Activity: Self-Refresh operation; Output Buffer and RTT: Enabled in Mode Registers; ODT Signal: MID-LEVEL	IDD6	1066	15	19	15	19	15	19	mA
1333		15	19	15	19	15	19		
1600		15	19	15	19	15	19		
1866		15	19	15	19	15	19		
Self Refresh Current: Extended Temperature Range; TCASE: 0- 95°C; Auto Self-Refresh (ASR): Disabled; Self-Refresh Temperature Range (SRT): Extended; CKE: Low; External clock: Off; CK and CK#: LOW; CL: see timing used table; BL: 8; AL: 0; CS#, Command, Address, Data IO: FLOATING; DM: stable at 0; Bank Activity: Extended Temperature Self-Refresh operation; Output Buffer and RTT: Enabled in Mode Registers; ODT Signal: MID-LEVEL	IDD6ET	1066	19	19	19	19	19	19	mA
1333		19	19	19	19	19	19		
1600		19	19	19	19	19	19		
1866		19	19	19	19	19	19		
Operating Bank Interleave Read Current; CKE: High; External clock: On; tCK, nRC, nRAS, nRCD, nRRD, nFAW, CL: see timing used table; BL: 8; AL: CL-1; CS#: High between ACT and RDA; Command, Address: partially toggling; Data IO: read data bursts with different data between one burst and the next one; DM: stable at 0; Bank Activity: two times interleaved cycling through banks (0, 1, ...7) with different addressing; Output Buffer and RTT: Enabled in Mode Registers; ODT Signal: stable at 0	IDD7	1066	144	145	164	165	203	204	mA
1333		167	168	187	188	237	238		
1600		191	192	211	212	275	276		
1866		195	196	215	216	280	281		
RESET Low Current; RESET: Low; External clock: off; CK and CK#: LOW; CKE: FLOATING; CS#, Command, Address, Data IO: FLOATING; ODT Signal: FLOATING	IDD8	1066	12	12	12	12	12	12	mA
1333		12	12	12	12	12	12		
1600		12	12	12	12	12	12		
1866		12	12	12	12	12	12		

5 Package Outlines

Figure 6 reflects the current status of the outline dimensions of the DDR3 SDRAM packages for 2Gbit components x8/x4 configuration. For functional description of each ball see **Chapter 1.4.1**.

Figure 6 - Package outline for x4/x8 component

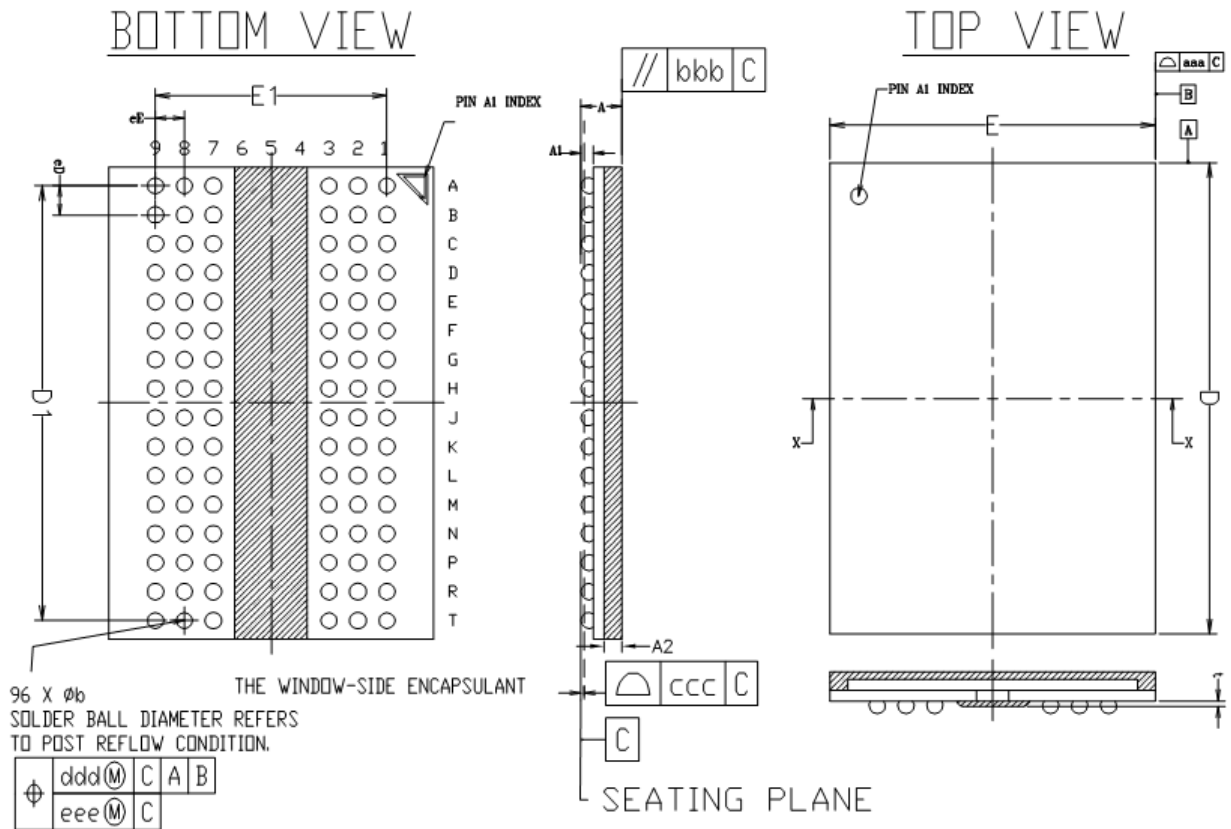


DIMENSION REFERENCES Units mm

REF.	MIN.	NOM.	MAX.
A	---	1.10	1.20
A1	0.25	0.35	0.40
A2	0.50	0.53	0.56
b	0.40	0.45	0.50
D	10.40	10.50	10.60
E	7.90	8.00	8.10
D1	9.60 BSC		
E1	6.40 BSC		
eE	0.80 BSC		
eD	0.80 BSC		
aaa	---	---	0.15
bbb	---	---	0.20
ccc	---	---	0.10
dld	---	---	0.15
eee	---	---	0.08
t	---	0.17	0.20

Figure 7 reflects the current status of the outline dimensions of the DDR3L SDRAM packages for 2Gbit components x16 configuration. For functional description of each ball see **Chapter 1.4.3**.

Figure 7 - Package outline for x16 component



DIMENSION REFERENCES Units mm

REF.	MIN.	NOM.	MAX.
A	---	1.10	1.20
A1	0.25	0.35	0.40
A2	0.50	0.53	0.56
b	0.40	0.45	0.50
D	12.90	13.00	13.10
E	8.90	9.00	9.10
D1	12.00 BSC		
E1	6.40 BSC		
eE	0.80 BSC		
eD	0.80 BSC		
aaa	---	---	0.15
bbb	---	---	0.20
ccc	---	---	0.10
ddd	---	---	0.15
eee	---	---	0.08
t	---	0.17	0.20

6 Product Type Nomenclature

For reference the UniIC SDRAM component nomenclature is enclosed in this chapter.

Table 37 - Examples for Nomenclature Fields

Example for	Field Number										
	1	2	3	4	5	6	7	8	9	10	11
DDR3 SDRAM	SCB	13	H	2G	16	0	A	F	–	13K	I

Table 38 - DDR3L Memory Nomenclature

Field	Description	Values	Coding
1	UniIC Component Prefix	SCB	UniIC Memory components
2	Interface Voltage [V]	13	SSTL, + 1.35 V (± 0.075 V)
3	DRAM Technology	H	DDR3
4	Component Density [bit]	32	32 Mbit
		64	64 Mbit
		128	128 Mbit
		256	256 Mbit
		512	512 Mbit
		1G	1 Gbit
		2G	2 Gbit
5	Number of I/Os	40	x 4
		80	x 8
		16	x 16
6	Product Variant	0 .. 9	–
7	Die Revision	A	First
		B	Second
		C	Third
8	Package, Lead-Free Status	C	FBGA, lead-containing
		F	FBGA, lead-free
9	Power	–	Standard power product
		L	Low power product
10	Speed Grade	19F	CL–tRCD–tRP = 7–7–7
		19G	CL–tRCD–tRP = 8–8–8
		15G	CL–tRCD–tRP = 8–8–8
		15H	CL–tRCD–tRP = 9–9–9
		13K	CL–tRCD–tRP = 11–11–11
		11M	CL–tRCD–tRP = 13–13–13
11	Temperature range	Blank	Commercial temperature range 0 °C to 95 °C
		I	Industrial temperature range -40 °C to 95 °C
		A3	Automotive A3 temperature range -40 °C to 95 °C
		A2	Automotive A2 temperature range -40 °C to 105 °C

List of Figures

Figure 1 - Ball out for 256 Mb x8, Components (PG-TFBGA-78, Top View)	8
Figure 2 - Ball out for 128 Mb x16 Components (PG-TFBGA-96, Top View)	11
Figure 3 - Reference Load for AC Timings and Output Slew Rates	26
Figure 4 - AC Overshoot / Undershoot Definitions for Address and Control Signals	33
Figure 5 - AC Overshoot / Undershoot Definitions for Clock, Data, Strobe and Mask Signals	34
Figure 6 - Package outline for x4/x8 component	53
Figure 7 - Package outline for x16 component	54

List of Tables

Table 1 - Ordering Information for 2Gbit DDR3L SDRAM Components	5
Table 2 - 2Gbit DDR3L SDRAM Addressing.....	7
Table 3 - Input / Output Signal Functional Description for x8 component.....	9
Table 4 - Input / Output Signal Functional Description for x16 component.....	12
Table 5 - Command Truth Table	14
Table 6 - Clock Enable (CKE) Truth Table for Synchronous Transitions.....	16
Table 7 - Data Mask (DM) Truth Table	16
Table 8 - MR0 Mode register Definition (BA[2:0]=000 _B)	18
Table 9 - MR1 Mode Register Definition (BA[2:0]=001 _B).....	20
Table 10 - MR2 Mode Register Definition (BA[2:0]=010 _B).....	22
Table 11 - MR3 Mode Register Definition (BA[2:0]=011 _B).....	23
Table 12 - Bit Order during Burst	24
Table 13 - Absolute Maximum Ratings	25
Table 14 - SDRAM Component Operating Temperature Range.....	25
Table 15 - DC Operating Conditions.....	26
Table 16 - DC and AC Input Levels for Single-Ended Command, Address and Control Signals	27
Table 17 - DC and AC Input Levels for Single-Ended DQ and DM Signals	27
Table 18 - Differential swing requirement for clock (CK - CK#) and strobe (DQS - DQS#).....	28
Table 19 - Allowed Time Before Ringback (tDVAC) for CK - CK# and DQS - DQS#	28
Table 20 - Each Single-Ended Levels for CK, DQS, DQS#, CK#	29
Table 21 - Cross Point Voltage for Differential Input Signals (CK, DQS)	29
Table 22 - DC and AC Output Levels for Single-Ended Signals	30
Table 23 - AC Output Levels for Differential Signals.....	30
Table 24 - Output Slew Rates.....	30
Table 25 - ODT DC Impedance and Mid-Level Characteristics	31
Table 26 - ODT DC Impedance after proper IO Calibration and Voltage/Temperature Drift	31
Table 27 - ODT DC Impedance Sensitivity Parameters	31
Table 28 - Interface Capacitance Values	32
Table 29 - AC Overshoot / Undershoot Specification for Address and Control Signals	33
Table 30 - AC Overshoot / Undershoot Specification for Clock, Data, Strobe and Mask Signals	33
Table 31 - DDR3L-1066 Speed Bins	35
Table 32 - DDR3L-1333 Speed Bins	36
Table 33 - DDR3L-1600 Speed Bins	37
Table 34 - DDR3L-1866 Speed Bins	38
Table 35 - AC Timing parameters	40
Table 36 - IDD Specification	51
Table 37 - Examples for Nomenclature Fields.....	55
Table 38 - DDR3L Memory Nomenclature.....	55

Edition 2022-07

Published by

Xi'an UnilC Semiconductors CO., Ltd.

**Xi'an: 4th Floor, Building A,
No. 38 Gaoxin 6th Road,
Xian High-tech Industries Development Zone
Xi'an, Shanxi 710075, P. R. China
Tel: +86-29-88318000
Fax: +86-29-88453299**

info@unisemicon.com

© UnilC 2022.

All Rights Reserved.

Legal Disclaimer

THE INFORMATION GIVEN IN THIS INTERNET DATA SHEET SHALL IN NO EVENT BE REGARDED AS A GUARANTEE OF CONDITIONS OR CHARACTERISTICS. WITH RESPECT TO ANY EXAMPLES OR HINTS GIVEN HEREIN, ANY TYPICAL VALUES STATED HEREIN AND/OR ANY INFORMATION REGARDING THE APPLICATION OF THE DEVICE, UNILC HEREBY DISCLAIMS ANY AND ALL WARRANTIES AND LIABILITIES OF ANY KIND, INCLUDING WITHOUT LIMITATION WARRANTIES OF NON-INFRINGEMENT OF INTELLECTUAL PROPERTY RIGHTS OF ANY THIRD PARTY.

Information

For further information on technology, delivery terms and conditions and prices please contact your nearest UnilC Office.

Warnings

Due to technical requirements components may contain dangerous substances. For information on the types in question please contact your nearest UnilC Office.

UnilC Components may only be used in life-support devices or systems with the express written approval of UnilC, if a failure of such components can reasonably be expected to cause the failure of that life-support device or system, or to affect the safety or effectiveness of that device or system. Life support devices or systems are intended to be implanted in the human body, or to support and/or maintain and sustain and/or protect human life. If they fail, it is reasonable to assume that the health of the user or other persons may be endangered.

www.unisemicon.com